

Pimlico

Royal in its roots, slim and elegant in its style, meet the Pimlico, a favourite of the Edwardians. First produced in the late Victorian era, and popular in later Edwardian homes, the Pimlico cast iron radiator is also known as the "Duchess Radiator". This slim line beauty is perfect for smaller rooms, having only 2 columns and a 100mm depth. The Pimlico is the perfect choice for a traditional quaint cottage as well as a great choice for a modern day bathroom.

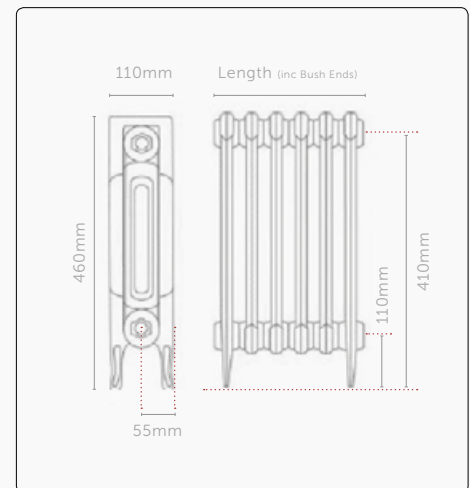
HEIGHT (Please select your required height to view heat output and specifications)

460 660 760

CODE	SECTIONS	LENGTH	OUTPUT		WEIGHT (KG)	WATER CONTENT (LTRs)
			75 / 65 / 20 BTUs	WATTS		
PIM-460-03	3	216	705	207	9	2.10
PIM-460-04	4	276	940	275	12	2.80
PIM-460-05	5	337	1175	344	15	3.50
PIM-460-06	6	398	1410	413	18	4.20
PIM-460-07	7	458	1645	482	21	4.90
PIM-460-08	8	519	1880	551	25	5.60
PIM-460-09	9	579	2115	620	28	6.30
PIM-460-10	10	640	2350	689	31	7.00
PIM-460-11	11	701	2585	758	34	7.70
PIM-460-12	12	761	2820	826	37	8.40
PIM-460-13	13	822	3055	895	40	9.10
PIM-460-14	14	882	3290	964	43	9.80
PIM-460-15	15	943	3525	1033	46	10.50
PIM-460-16	16	1004	3760	1102	49	11.20
PIM-460-17	17	1064	3995	1171	52	11.90
PIM-460-18	18	1125	4230	1240	55	12.60
PIM-460-19	19	1185	4465	1309	58	13.30
PIM-460-20	20	1246	4700	1377	61	14.00
PIM-460-21	21	1307	4935	1446	64	14.70
PIM-460-22	22	1367	5170	1515	67	15.40
PIM-460-23	23	1428	5405	1584	70	16.10
PIM-460-24	24	1488	5640	1653	73	16.80
PIM-460-25	25	1549	5875	1722	77	17.50
PIM-460-26	26	1610	6110	1791	80	18.20
PIM-460-27	27	1670	6345	1860	83	18.90
PIM-460-28	28	1731	6580	1928	86	19.60
PIM-460-29	29	1791	6815	1997	89	20.30
PIM-460-30	30	1852	7050	2066	92	21.00
PIM-460-31	31	1913	7285	2135	95	21.70
PIM-460-32	32	1973	7520	2204	98	22.40
PIM-460-33	33	2034	7755	2273	101	23.10
PIM-460-34	34	2094	7990	2342	104	23.80
PIM-460-35	35	2155	8225	2411	107	24.50
PIM-460-36	36	2216	8460	2479	110	25.20
PIM-460-37	37	2276	8695	2548	113	25.90
PIM-460-38	38	2337	8930	2617	116	26.60
PIM-460-39	39	2397	9165	2686	119	27.30
PIM-460-40	40	2458	9400	2755	122	28.00

Maximum test pressure = 3.3 bar | Maximum working pressure = 2.5 bar

Lengths quoted are given in good faith. However, due to the nature of the manufacturing process tolerances can and should be expected. Quoted dimensions should therefore only be used as a guideline. Longer lengths are available on request.



Contact our
scandinavian distributor:

sales@agentur-huset.com

www.agentur-huset.com

Agenturhuset AB
Garnisonsgatan 13
SE-25466 Helsingborg

Pimlico

Royal in its roots, slim and elegant in its style, meet the Pimlico, a favourite of the Edwardians. First produced in the late Victorian era, and popular in later Edwardian homes, the Pimlico cast iron radiator is also known as the "Duchess Radiator". This slim line beauty is perfect for smaller rooms, having only 2 columns and a 100mm depth. The Pimlico is the perfect choice for a traditional quaint cottage as well as a great choice for a modern day bathroom.

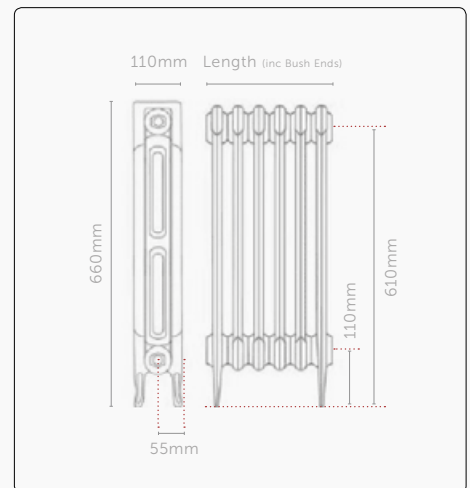
HEIGHT (Please select your required height to view heat output and specifications)

460 **660** 760

CODE	SECTIONS	LENGTH	OUTPUT		WEIGHT (KG)	WATER CONTENT (LTRs)
			75 / 65 / 20 BTUs	WATTS		
PIM-660-03	3	218	963	282	13	3.00
PIM-660-04	4	279	1284	376	17	4.00
PIM-660-05	5	341	1605	470	22	5.00
PIM-660-06	6	402	1926	564	26	6.00
PIM-660-07	7	463	2247	659	30	7.00
PIM-660-08	8	524	2568	753	35	8.00
PIM-660-09	9	586	2889	847	39	9.00
PIM-660-10	10	647	3210	941	43	10.00
PIM-660-11	11	708	3531	1035	48	11.00
PIM-660-12	12	770	3852	1129	52	12.00
PIM-660-13	13	831	4173	1223	56	13.00
PIM-660-14	14	892	4494	1317	61	14.00
PIM-660-15	15	954	4815	1411	65	15.00
PIM-660-16	16	1015	5136	1505	69	16.00
PIM-660-17	17	1076	5457	1599	73	17.00
PIM-660-18	18	1137	5778	1693	78	18.00
PIM-660-19	19	1199	6099	1788	82	19.00
PIM-660-20	20	1260	6420	1882	86	20.00
PIM-660-21	21	1321	6741	1976	91	21.00
PIM-660-22	22	1383	7062	2070	95	22.00
PIM-660-23	23	1444	7383	2164	99	23.00
PIM-660-24	24	1505	7704	2258	104	24.00
PIM-660-25	25	1567	8025	2352	108	25.00
PIM-660-26	26	1628	8346	2446	112	26.00
PIM-660-27	27	1689	8667	2540	117	27.00
PIM-660-28	28	1750	8988	2634	121	28.00
PIM-660-29	29	1812	9309	2728	125	29.00
PIM-660-30	30	1873	9630	2822	130	30.00
PIM-660-31	31	1934	9951	2916	134	31.00
PIM-660-32	32	1996	10272	3011	138	32.00
PIM-660-33	33	2057	10593	3105	143	33.00
PIM-660-34	34	2118	10914	3199	147	34.00
PIM-660-35	35	2180	11235	3293	151	35.00
PIM-660-36	36	2241	11556	3387	156	36.00
PIM-660-37	37	2302	11877	3481	160	37.00
PIM-660-38	38	2363	12198	3575	164	38.00
PIM-660-39	39	2425	12519	3669	169	39.00
PIM-660-40	40	2486	12840	3763	173	40.00

Maximum test pressure = 3.3 bar | Maximum working pressure = 2.5 bar

Lengths quoted are given in good faith. However, due to the nature of the manufacturing process tolerances can and should be expected. Quoted dimensions should therefore only be used as a guideline. Longer lengths are available on request.



Contact our
scandinavian distributor:

sales@agentur-huset.com

www.agentur-huset.com

Agenturhuset AB
Garnisonsgatan 13
SE-25466 Helsingborg

Pimlico

Royal in its roots, slim and elegant in its style, meet the Pimlico, a favourite of the Edwardians. First produced in the late Victorian era, and popular in later Edwardian homes, the Pimlico cast iron radiator is also known as the "Duchess Radiator". This slim line beauty is perfect for smaller rooms, having only 2 columns and a 100mm depth. The Pimlico is the perfect choice for a traditional quaint cottage as well as a great choice for a modern day bathroom.

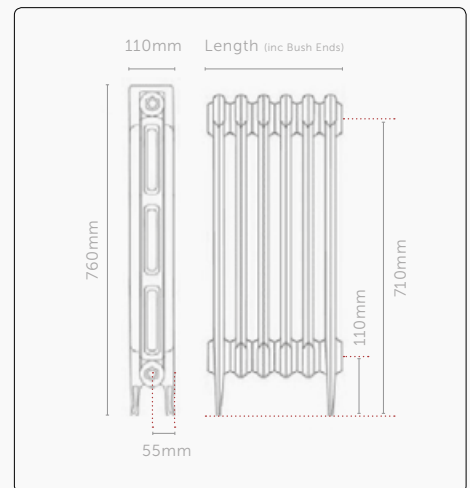
HEIGHT (Please select your required height to view heat output and specifications)

460 660 **760**

CODE	SECTIONS	LENGTH	OUTPUT		WEIGHT (KG)	WATER CONTENT (LTRs)
			75 / 65 / 20 BTUs	WATTS		
PIM-760-03	3	220	1101	323	15	3.30
PIM-760-04	4	282	1468	430	20	4.40
PIM-760-05	5	344	1835	538	25	5.50
PIM-760-06	6	405	2202	645	31	6.60
PIM-760-07	7	467	2569	753	36	7.70
PIM-760-08	8	529	2936	860	41	8.80
PIM-760-09	9	591	3303	968	46	9.90
PIM-760-10	10	653	3670	1076	51	11.00
PIM-760-11	11	715	4037	1183	56	12.10
PIM-760-12	12	777	4404	1291	61	13.20
PIM-760-13	13	839	4771	1398	66	14.30
PIM-760-14	14	901	5138	1506	71	15.40
PIM-760-15	15	963	5505	1613	76	16.50
PIM-760-16	16	1024	5872	1721	81	17.60
PIM-760-17	17	1086	6239	1829	86	18.70
PIM-760-18	18	1148	6606	1936	91	19.80
PIM-760-19	19	1210	6973	2044	97	20.90
PIM-760-20	20	1272	7340	2151	102	22.00
PIM-760-21	21	1334	7707	2259	107	23.10
PIM-760-22	22	1396	8074	2366	112	24.20
PIM-760-23	23	1458	8441	2474	117	25.30
PIM-760-24	24	1520	8808	2581	122	26.40
PIM-760-25	25	1582	9175	2689	127	27.50
PIM-760-26	26	1643	9542	2797	132	28.60
PIM-760-27	27	1705	9909	2904	137	29.70
PIM-760-28	28	1767	10276	3012	142	30.80
PIM-760-29	29	1829	10643	3119	147	31.90
PIM-760-30	30	1891	11010	3227	152	33.00
PIM-760-31	31	1953	11377	3334	158	34.10
PIM-760-32	32	2015	11744	3442	163	35.20
PIM-760-33	33	2077	12111	3550	168	36.30
PIM-760-34	34	2139	12478	3657	173	37.40
PIM-760-35	35	2201	12845	3765	178	38.50
PIM-760-36	36	2262	13212	3872	183	39.60
PIM-760-37	37	2324	13579	3980	188	40.70
PIM-760-38	38	2386	13946	4087	193	41.80
PIM-760-39	39	2448	14313	4195	198	42.90
PIM-760-40	40	2510	14680	4302	203	44.00

Maximum test pressure = 3.3 bar | Maximum working pressure = 2.5 bar

Lengths quoted are given in good faith. However, due to the nature of the manufacturing process tolerances can and should be expected. Quoted dimensions should therefore only be used as a guideline. Longer lengths are available on request.



Contact our
scandinavian distributor:

sales@agentur-huset.com

www.agentur-huset.com

Agenturhuset AB
Garnisonsgatan 13
SE-25466 Helsingborg