

Kalea C1 Futura - Cabin Lift TECHNICAL BROCHURE



SCREW-DRIVEN INNOVATION

The Kalea brand was created in 1898 and in 2008, our company became a member of Cibes Lift Group. Together, we have sold more than 40 000 lifts across the world. To take our business and

your comfort to the next level, we have created a completely new lift which combines the greatest benefits of platform lift technology with the most convenient features of a conventional lift.



DISCOVER THE ADVANTAGES OF SCREW-DRIVEN CABIN LIFT KALEA C1 FUTURA

- **Reduced top height**

The 2500 mm top height fits easily under most ceilings.

- **Machine room less**

The machinery fits inside the shaft, no need for a separate machine room.

- **Screw-driven system**

Reliable 100% electric screw-driven system, no hydraulics.

- **Energy-saving LED technology**

The ceiling is illuminated by durable and energy-saving LED lights.

- **Automatic telescopic doors**

Automatic telescopic doors for landings and cabin.

- **Space-saving doors**

The doors slide open without obstructing the space on the landings.

- **One touch operation**

One touch operation at landings and inside the cabin.

- **Reduced lift pit**

At the bottom floor, a shallow pit of 100 mm is enough.



The different elements of Kalea C1 Futura are available in a wide range of finishes.

STANDARD FINISH

The standard finish for Kalea C1 Futura is an elegant combination of black, white and grey.

Lift element with standard finish	
Shaft panels in steel	White RAL 9016
Shaft panels in glass (frames)	Natural anodized aluminium
Corner profiles of shaft	Natural anodized aluminium
Landing doors (frame and door panels in glass/steel)	White RAL 9016
Cabin doors (frame and door panels in glass/steel)	White RAL 9016
Cabin walls	White
Corner profiles in cabin	Black anodized aluminium HX50
Control panel with push buttons	Black RAL 9005
Ceiling with LED lighting	White RAL 9016

MIX & MATCH

Mix and match different colours to create a unique lift design which is perfect for your project.

Lift element with available colours	
Shaft panels in steel	Any RAL or Premium colour
Shaft panels in glass (frames)	Any RAL or Premium colour
Corner profiles of shaft	Any RAL or Premium colour
Landing doors (frame and door panels)	Any RAL or Premium colour/stainless steel*
Cabin doors (frame and door panels)	Any RAL or Premium colour/stainless steel*
Cabin walls	Available in 12 laminate colours / glass / mirror **
Corner profiles in cabin	Any RAL or Premium colour
Control panel with push buttons	Any RAL or Premium colour/stainless steel*
Ceiling with LED lighting	Any RAL or Premium colour

* Austenitic steel, designation EN1.4301/AISI 304, name X5CrNi18-10

**Mirror wall available for side A/C

CUSTOMIZE YOUR LIFT

Kalea C1 Futura offers you the freedom to combine different colours and materials to create a unique lift design.

LAMINATE FOR CABIN WALLS



FLOOR OPTIONS



GLAZING OPTIONS FOR SHAFT





Walls: White standard laminate. Black profiles. Control panel: Black. Ceiling with LED light RAL9016.



Walls: Brushed Argent laminate, mirror. Coated control in RAL9006. Coated ceiling in RAL 9006 with LED-light.



Walls: Folkstone laminate, matching profiles RAL830. Open through with white door. Control panel: Stainless steel. Ceiling: RAL830 with LED-light.



Walls: Folkstone laminate, black coated profiles. Black coated control. White coated ceiling with LED-light.



Walls: Laminate: Oyster grey, mirror and laminate with matching coated profiles : RAL1015. Black touch control. Light screen ceiling.



Walls: Glass, mirror and laminate: Otter. Black profiles. Black touch control. Light screen ceiling.



Walls: Glass, glass and laminate: Terril. Black profiles. Black touch control. Light screen ceiling.



Walls: Glass, mirror and laminate: Just Rose. Matching coated profiles and control panel RAL490. Light screen ceiling.



Walls: Glass and laminate: Magnolia. Black profiles. Touch control. Light screen ceiling.



Walls: Glass, mirror and laminate: Polar Aland Pine. Black profiles. Touch control. Light screen ceiling.



Walls: Glass, mirror and laminate: Nevada Oak. Black profiles. Touch control. Light screen ceiling. Floor: Rustic Oak.



Walls: Glass, mirror and laminate: Black Wood. Black profiles. Touch control. Light screen ceiling.



Walls: White laminate, open through with white door with matching profiles. Black touch control. Light screen ceiling.



Walls: Glass, open through with glass door. Fontana laminate, black profiles. Black touch control. Light screen ceiling.



Walls: Glass, open through with glass door. Brushed Argent laminate, Black profiles. Control panel: Stainless steel. Light screen ceiling.



Walls: Brushed Argent laminate, Black profiles. Black touch control. Light screen ceiling.

LIFT SIZES

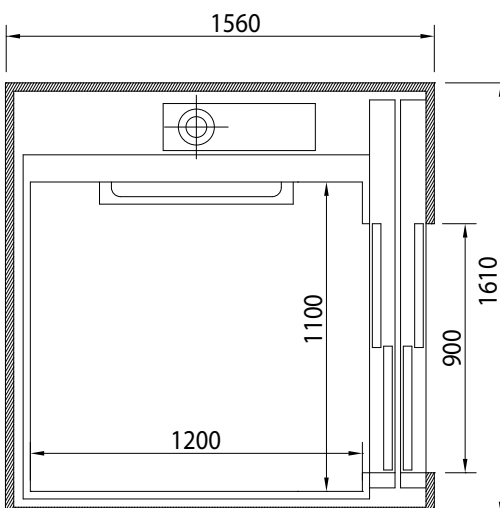
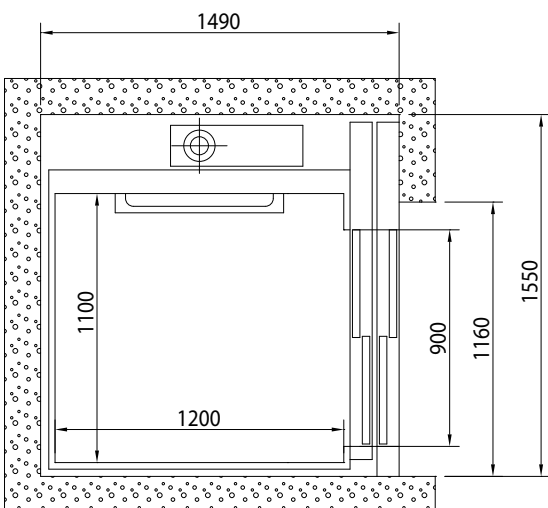


Kalea C1 Futura 1100x1200 mm

Cabin dimensions (w x d x h)	1100 x 1200 x 2130 mm
Cut-out size (w x d) single entry	1550 x 1490 mm
Pit depth	100 mm/120 mm*

Kalea C1 Futura 1100x1200 mm

Cabin dimensions (w x d x h)	1100 x 1200 x 2130 mm
Cut-out size (w x d) single entry	1610 x 1560 mm
Pit depth	100 mm/120 mm*

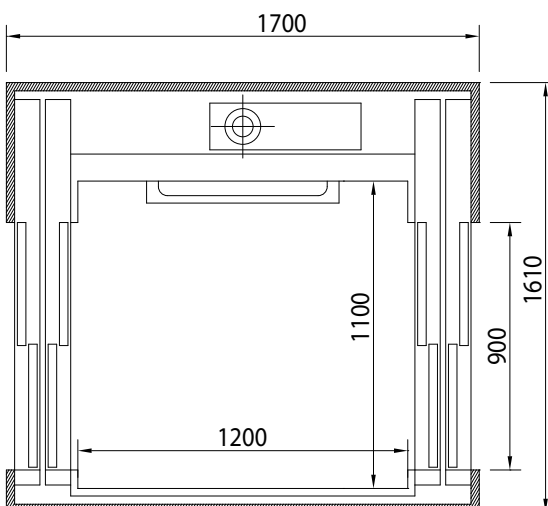
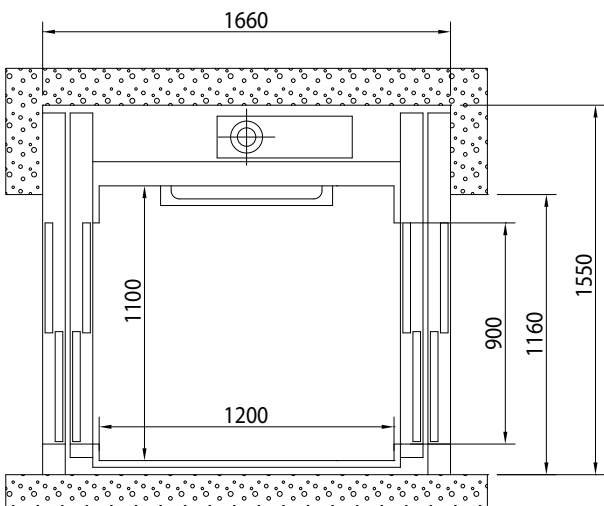


Kalea C1 Futura 1100x1200 mm

Cabin dimensions (w x d x h)	1100 x 1200 x 2130
Cut-out size (w x d) open through	1550 x 1660 mm
Pit depth	100 mm/120 mm*

Kalea C1 Futura 1100x1200 mm

Cabin dimensions (w x d x h)	1100 x 1200 x 2130
Cut-out size (w x d) open through	1610 x 1700 mm
Pit depth	100 mm/120 mm*



*120 mm pit if the cabin is fitted with a floor in wood or tiles (tiles max 20 mm thick).

LIFT SIZES

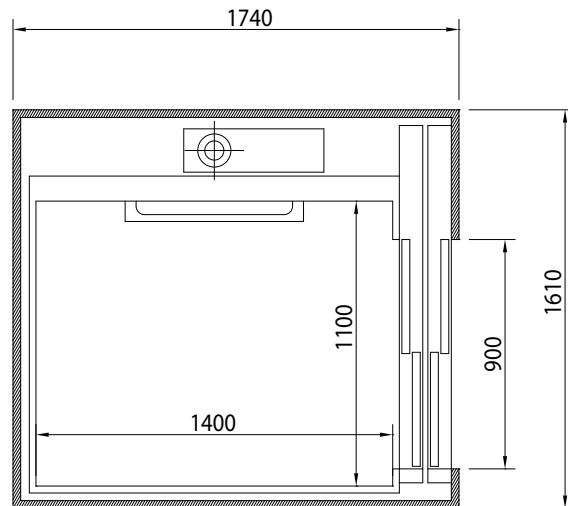
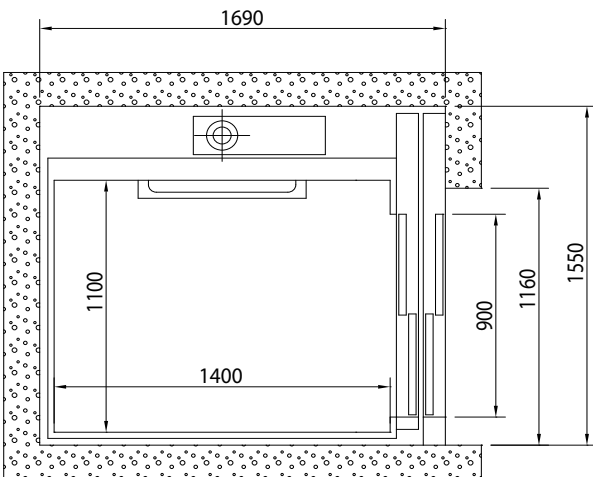


Kalea C1 Futura 1100x1400 mm

Cabin dimensions (w x d x h)	1100 x 1400 x 2130 mm
Cut-out size (w x d) single entry	1550 x 1690 mm
Pit depth	100 mm/120 mm*

Kalea C1 Futura 1100x1400 mm

Cabin dimensions (w x d x h)	1100 x 1400 x 2130 mm
Cut-out size (w x d) single entry	1610 x 1740 mm
Pit depth	100 mm/120 mm*

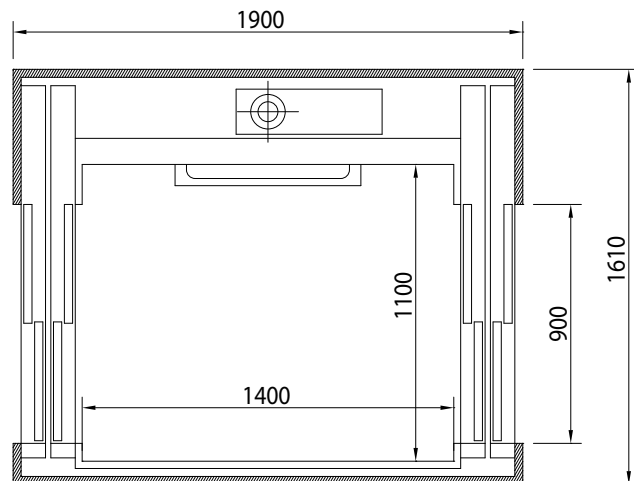
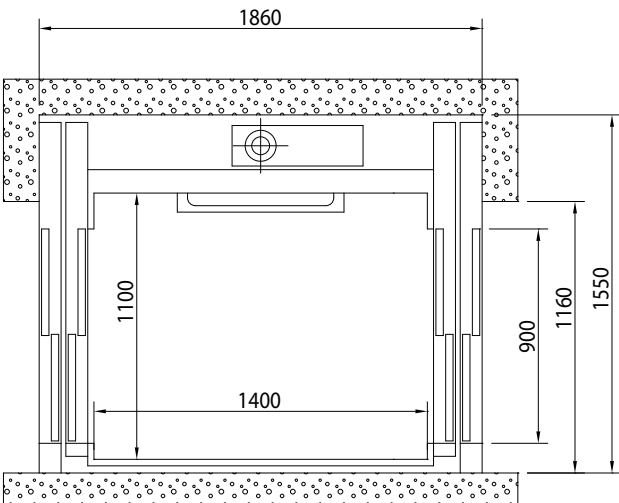


Kalea C1 Futura 1100x1400 mm

Cabin dimensions (w x d x h)	1100 x 1400 x 2130 mm
Cut-out size (w x d) open through	1550 x 1860 mm
Pit depth	100 mm/120 mm*

Kalea C1 Futura 1100x1400 mm

Cabin dimensions (w x d x h)	1100 x 1400 x 2130 mm
Cut-out size (w x d) open through	1610 x 1900 mm
Pit depth	100 mm/120 mm*



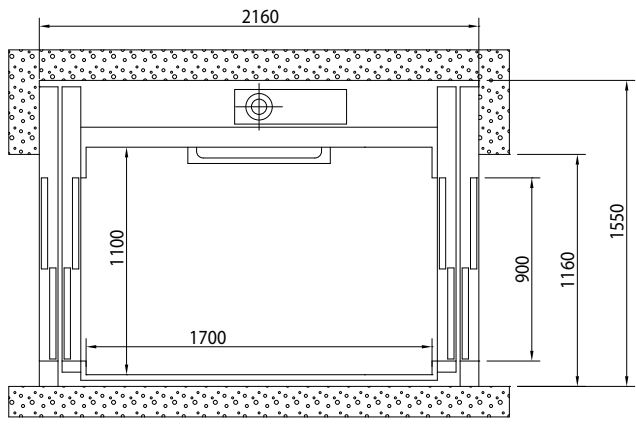
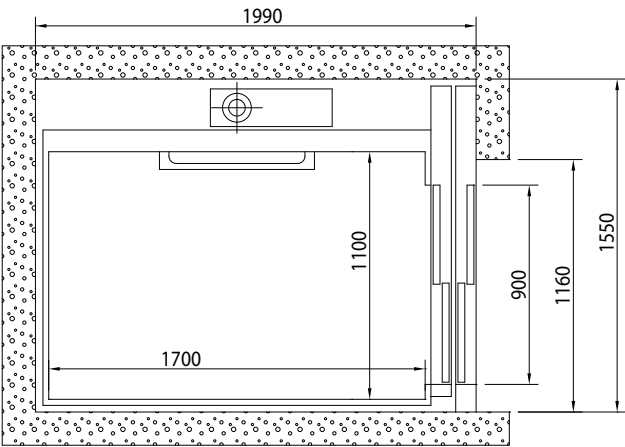
*120 mm pit if the cabin is fitted with a floor in wood or tiles (tiles max 20 mm thick).

LIFT SIZES



Kalea C1 Futura 1100x1700 mm	
Cabin dimensions (w x d x h)	1100 x 1700 x 2130 mm
Cut-out size (w x d) single entry	1550 x 1990 mm
Pit depth	100 mm/120 mm*

Kalea C1 Futura 1100x1700 mm	
Cabin dimensions (w x d x h)	1100 x 1700 x 2130 mm
Cut-out size (w x d) open through	1550 x 2160 mm
Pit depth	100 mm/120 mm*

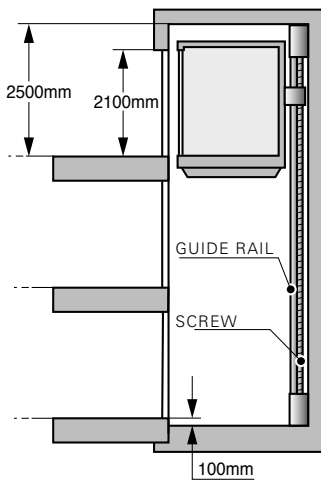


*120 mm pit if the cabin is fitted with a floor in wood or tiles (tiles max 20 mm thick).

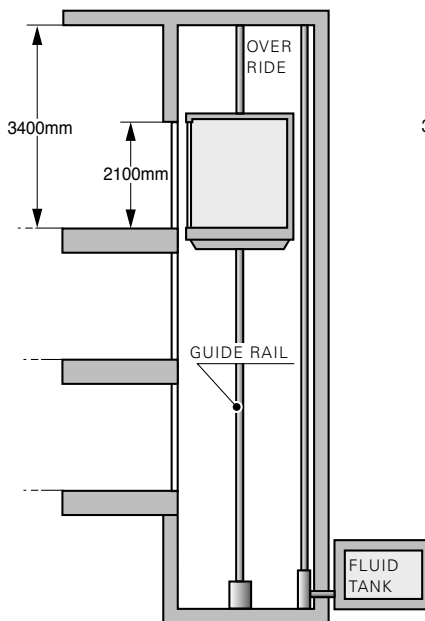
SPACE-SAVING LIFT DESIGN

Most conventional lifts, such as hydraulic lifts and traction lifts, require extensive refurbishment for the deep pit and big headroom.

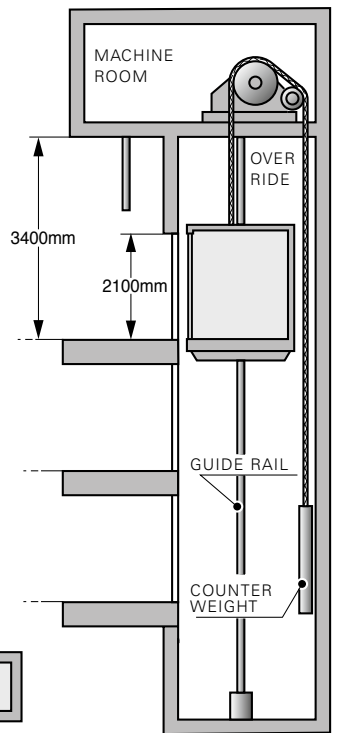
Kalea C1 Futura integrates seamlessly with your building and needs only minimal refurbishment.



Screw-driven lift



Hydraulic lift



Traction lift

VERSATILE DESIGN

Design should be beautiful, but also versatile enough to cater for different needs and requirements. To adapt to public, commercial and private settings, C1 Futura

is available in two design concepts, whose elements can be combined to suit your needs.



- **Ceiling with LED spotlights**
- **Multi-functional integrated speaker**
Speaker for emergency phone, voice announcement and arrival signal.
- **Level indicator**
The 3" display is integrated with the control panel.
- **Control panel with push buttons**
Tactile push buttons with back light, compliant with EN 81-70.
 - ONE TOUCH OPERATION
 - Destination buttons with one touch operation.
 - ALARM BUTTON
 - Activates the alarm signal and the emergency telephone.*
 - DOOR OPENING BUTTON
- **Handrail**
Elegant, ergonomic handrail in black anodized aluminium.



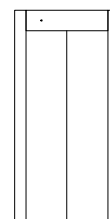
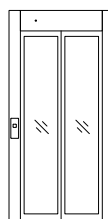
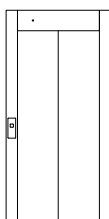
- **LED light diffuser ceiling**
- **Multi-functional integrated speaker**
Speaker for emergency phone, voice announcement and arrival signal.
- **Level indicator**
The 3" display is integrated with the control panel.
- **Control panel with touchscreen**
User-friendly and responsive touchscreen controls with back light.
 - ONE TOUCH OPERATION
 - Destination buttons with one touch operation.
 - ALARM BUTTON
 - Activates the alarm signal and the emergency telephone.*
 - DOOR OPENING BUTTON
- **Handrail**
Elegant, ergonomic handrail in black anodized aluminium.

* Built-in, hands-free telephone Safeline MX3.

Touchscreen controls are not suitable for projects required to meet European Accessibility Standard for lifts EN 81-70. For such projects, mechanical push buttons are advised. EN 81-70 also includes other requirements. Please contact your Kalea dealer for more information.

DOOR MODELS

Kalea C1 Futura is equipped with automatic telescopic doors, for the landings and cabin. For your safety, there is a light curtain between the two sets of doors, which prevents the doors from closing if the light curtain is breached.



DOORS for Kalea C1 Futura

Door model	CS0 Steel Door	CS1 Glass door	CSEI60 Fire rated door*
Door type	Telescopic sliding door	Telescopic sliding door	Telescopic sliding door
Number of door panels	2	2	2
Clear opening (w x h) mm	900 x 2100	900 x 2100	900 x 2100
Opening direction	Towards machinery side	Towards machinery side	Towards machinery side
Infrared light curtain	Standard	Standard	Standard
Cut out size (w x h) mm	1160 x 2300	1160 x 2300	1000 x 2250
Material	Steel	Steel/glass	Steel
Standard finish	White RAL 9016	White RAL 9016	White RAL 9016
Optional finish	Any RAL or Premium colour/ stainless steel**	Any RAL or Premium colour	Any RAL or Premium colour
Glass (w x h) mm	N/A	370 x 1950 mm	N/A

*Landing door fire rated EI60 according to standard EN 81-58.

**Austenitic steel, designation EN1.4301/AISI 304, name X5CrNi18-10.



Push button with white, grey or black face plate



RFID tag reader for auto lock



Key lock for auto lock/central lock



Touchscreen call button with integrated level indicator



Level indicator in elegant zinc frame

Code lock for auto lock

Other lock solutions are available. For more information, please contact Kalea.

Touchscreen controls are not suitable for projects required to meet European Accessibility Standard for lifts EN 81-70. For such projects, mechanical push buttons are advised. EN 81-70 also includes other requirements. Please contact your Kalea dealer for more information.

TECHNICAL SPECIFICATIONS

Kalea C1 Futura	1100×1200 mm	1100×1400 mm	1100×1700 mm
Location	Indoor	Indoor	Indoor
Rated load	525 kg	630 kg	630 kg
Max. number of stops	6	6	6
Max travel speed (m/s)	0.15 m/s	0.15 m/s	0.15 m/s
Travel height	15 m	15 m	15 m
Min travel single entry	2500 mm	2500 mm	2500 mm
Min travel open through	2400 mm*	2400 mm*	2400 mm*
Operation	One touch operation on landings and inside cabin	One touch operation on landings and inside cabin	One touch operation on landings and inside cabin
Top height on top floor	2500 mm	2500 mm	2500 mm
Pit depth	100/120 mm**	100/120 mm**	100/120 mm**
Machine room	Machine room less	Machine room less	Machine room less
Cabin size (w x d x h)	1100 x 1200 x 2130 mm	1100 x 1400 x 2130 mm	1100 x 1700 x 2130 mm
Cut-out size single entry with modular shaft	1610 x 1560 mm	1610 x 1740 mm	N/A
Cut-out size open through with modular shaft	1610 x 1700 mm	1610 x 1900 mm	N/A
Cut-out size single entry without modular shaft	1550 x 1490 mm	1550 x 1690 mm	1550 x 1990 mm
Cut-out size open through without modular shaft	1550 x 1660 mm	1550 x 1860 mm	1550 x 2160 mm
Shaft	Modular shaft in steel or glass panels /no shaft	Modular shaft in steel or glass panels /no shaft	Only available without shaft
Access configuration	Single entry/open through	Single entry/open through	Single entry/open through
Door type	Telescopic door	Telescopic door	Telescopic door
Opening direction	Towards machinery side	Towards machinery side	Towards machinery side
Door clear opening (w x h)	900 x 2100 mm	900 x 2100 mm	900 x 2100 mm
Diffuser ceiling light	250 LUX	250 LUX	250 LUX
LED ceiling light	120 LUX	120 LUX	120 LUX
Standard safety equipment	Alarm button, emergency telephone, emergency light, battery emergency lowering, battery monitoring, overload protection, infrared light curtain between doors	Alarm button, emergency telephone, emergency light, battery emergency lowering, battery monitoring, overload protection, infrared light curtain between doors	Alarm button, emergency telephone, emergency light, battery emergency lowering, battery monitoring, overload protection, infrared light curtain between doors
Optional safety equipment	Maintenance light, fire drive, locking systems	Maintenance light, fire drive, locking systems	Maintenance light, fire drive, locking systems
Drive system	Screw-driven with safety nut	Screw-driven with safety nut	Screw-driven with safety nut
Control system	Micro computer based system	Micro computer based system	Micro computer based system
Power supply	3x400 V 50-60 Hz 10 A / 3x230 V 50-60 Hz 16 A	3x400 V 50-60 Hz 10 A / 3x230 V 50-60 Hz 16 A	3x400 V 50-60 Hz 10 A / 3x230 V 50-60 Hz 16 A
Rated motor power	4 kW / 3.7 kW***	4 kW / 3.7 kW***	4 kW / 3.7 kW***
Directives	MD 2006/42/06/EC	MD 2006/42/06/EC	MD 2006/42/06/EC
Standards	Applicable parts of EN 81-41, EN 81-20 and EN 81-70	Applicable parts of EN 81-41, EN 81-20 and EN 81-70	Applicable parts of EN 81-41, EN 81-20 and EN 81-70
Manufactured in	Sweden	Sweden	Sweden

*With open through access, the min travel can be reduced to 500 mm between stops 2-6.

** 120 mm pit if the cabin is fitted with wood laminate or floor tiles (tiles max 20 mm thick).

*** 3.7 kW with power supply 3 x 230 V.

DRAWINGS
FOR DOWNLOAD



For more product details and information about the product and accessory selection, contact Kalea Lifts. This product information is general and we reserve the right to modify product design and specifications. Minor deviations in colour reproduction can occur. © Cibes Lift Group AB.



info@kalealifts.com www.kalealifts.com

All Kalea lift models carry the CE mark and go through extensive testing and quality checks before leaving our factory. Our lifts are certified products that comply with European Machinery Directive 2006/42/EC and applicable parts of European Standards EN 81-41 and EN 81-70. The brand Kalea Lifts is owned by Cibes Lift Group AB. ©