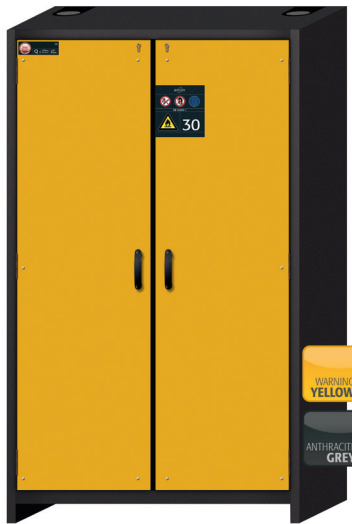


ID-Nr. 31003-060
Model Q30.195.116



Safety storage cabinet Q-CLASSIC-30
Model Q30.195.116, body colour anthracite grey, with wing doors in warning yellow (RAL 1004)

Safe and approved storage of flammable hazardous substances in working areas

Function / construction:

- **Robust construction and longevity:** triple hinged door, cabinet body made of melamine resin and flame retardant special plates, safety elements assembled outside the storage compartment for increased protection against corrosion, doors with metal front as well as scratch-and impact-resistant surface, easy to clean
- **Easy handling with comfort:** doors stop in any position, self-closing in the event of fire
- **No unauthorised use:** doors lockable with profile cylinder (integration in an existing locking system possible)
- **Easy transport:** integrated transport base with removable, optional base cover or adjusting aids with base cover
- **Ventilation:** integrated air ducts ready for connection (DN 75) to a technical exhaust system

Dimensions	
Width (external)	1164 mm
Depth (external)	620 mm
Height (external)	1947 mm
Width (internal)	1050 mm
Depth (internal)	519 mm
Height (internal)	1626 mm

The available internal dimensions can vary depending on the interior equipment package.

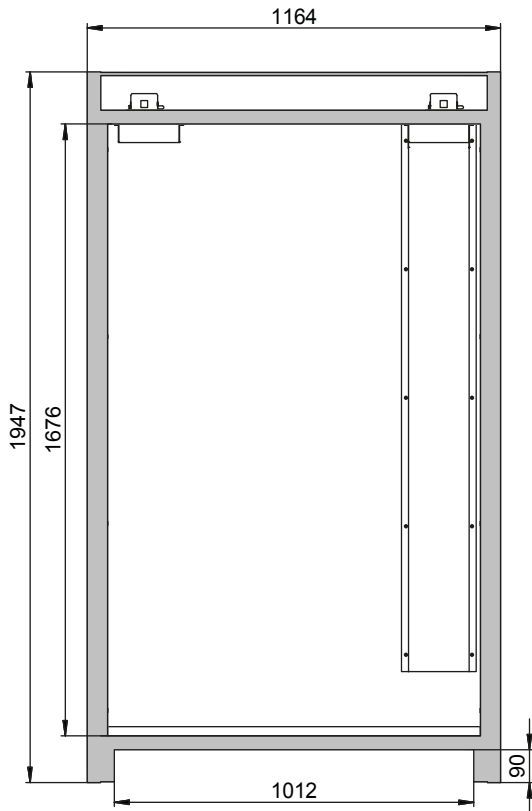
Weight / Load	
Weight without interior equipment	240 kg
Distributed load	445 kg/m ²
Maximum load	600 kg

Ventilation	
Extraction air	75 DN
Minimum exhaust air quantity 10 times	9 m ³ /h
Differential pressure (10 times air change)	10 Pa

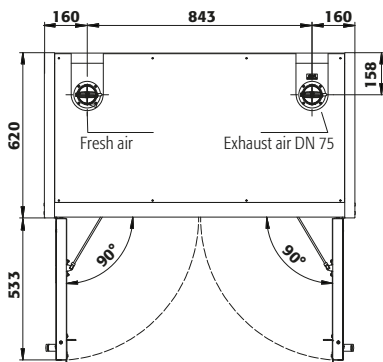
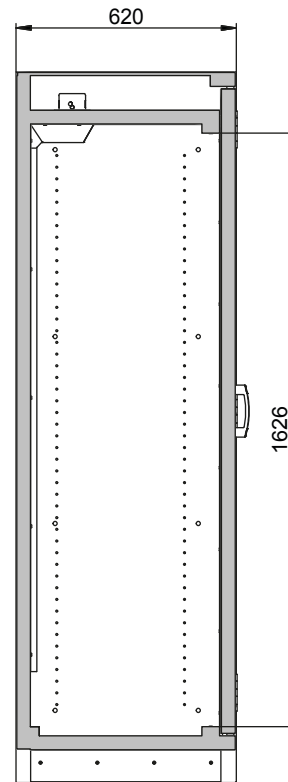
Colouring / Surface finish	
Body colour	anthracite grey
Body surface finish	micropearl
Door / Drawer colour code	RAL 1004
Door / Drawer colour	warning yellow
Door / Drawer surface finish	textured

General Information	
Number of doors	2
Door opening angle	90.00°
Depth with open doors	1153 mm
Interior grid dimension	32 mm
Entry width transport base	1012 mm
Entry height transport base	90 mm
Customs tariff number	94032080

Front view



Side view



For further information please visit www.asecos.com