

Kensington

With a fabulous fluid form and exquisite ornate detail, this vintage radiator exudes luxury. The Kensington vintage cast iron radiator is a decoratively distinctive vintage styled cast iron radiator that echoes a bygone era. This freestanding vintage radiator has a stunning ornate scrolled detail that lends itself well to our hand-painted highlight option or an antique paint effect. The Kensington is a popular choice for a traditional refurbishment, barn or warehouse conversion, but is equally at home in a modern setting. Let the beautiful lines of the Kensington magically enhance your room.

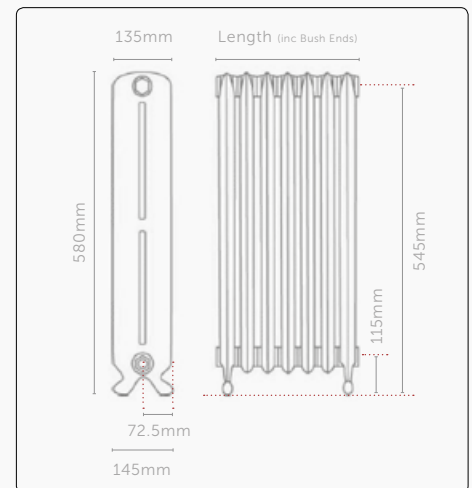
HEIGHT (Please select your required height to view heat output and specifications)

580 750 780

CODE	SECTIONS	LENGTH	OUTPUT		WEIGHT (KG)	WATER CONTENT (LTRs)
			75 / 65 / 20 BTUs	WATTS		
KEN-580-03	3	247	894	262	17	3.60
KEN-580-04	4	318	1192	349	23	4.80
KEN-580-05	5	389	1490	437	29	6.00
KEN-580-06	6	460	1788	524	34	7.20
KEN-580-07	7	531	2086	611	40	8.40
KEN-580-08	8	602	2384	699	46	9.60
KEN-580-09	9	673	2682	786	51	10.80
KEN-580-10	10	744	2980	873	57	12.00
KEN-580-11	11	815	3278	961	63	13.20
KEN-580-12	12	886	3576	1048	68	14.40
KEN-580-13	13	957	3874	1135	74	15.60
KEN-580-14	14	1028	4172	1223	80	16.80
KEN-580-15	15	1099	4470	1310	86	18.00
KEN-580-16	16	1170	4768	1397	91	19.20
KEN-580-17	17	1241	5066	1485	97	20.40
KEN-580-18	18	1312	5364	1572	103	21.60
KEN-580-19	19	1383	5662	1659	108	22.80
KEN-580-20	20	1454	5960	1747	114	24.00
KEN-580-21	21	1525	6258	1834	120	25.20
KEN-580-22	22	1596	6556	1921	125	26.40
KEN-580-23	23	1667	6854	2009	131	27.60
KEN-580-24	24	1738	7152	2096	137	28.80
KEN-580-25	25	1809	7450	2183	143	30.00
KEN-580-26	26	1880	7748	2271	148	31.20
KEN-580-27	27	1951	8046	2358	154	32.40
KEN-580-28	28	2022	8344	2445	160	33.60
KEN-580-29	29	2093	8642	2533	165	34.80
KEN-580-30	30	2164	8940	2620	171	36.00
KEN-580-31	31	2235	9238	2708	177	37.20
KEN-580-32	32	2306	9536	2795	182	38.40
KEN-580-33	33	2377	9834	2882	188	39.60
KEN-580-34	34	2448	10132	2970	194	40.80
KEN-580-35	35	2519	10430	3057	200	42.00
KEN-580-36	36	2590	10728	3144	205	43.20
KEN-580-37	37	2661	11026	3232	211	44.40
KEN-580-38	38	2732	11324	3319	217	45.60
KEN-580-39	39	2803	11622	3406	222	46.80
KEN-580-40	40	2874	11920	3494	228	48.00

Maximum test pressure = 3.3 bar | Maximum working pressure = 2.5 bar

Lengths quoted are given in good faith. However, due to the nature of the manufacturing process tolerances can and should be expected. Quoted dimensions should therefore only be used as a guideline. Longer lengths are available on request.



Contact our
scandinavian distributor:

sales@agentur-huset.com

www.agentur-huset.com

Agenturhuset AB
Garnisonsgatan 13
SE-25466 Helsingborg

Kensington

With a fabulous fluid form and exquisite ornate detail, this vintage radiator exudes luxury. The Kensington vintage cast iron radiator is a decoratively distinctive vintage styled cast iron radiator that echoes a bygone era. This freestanding vintage radiator has a stunning ornate scrolled detail that lends itself well to our hand-painted highlight option or an antique paint effect. The Kensington is a popular choice for a traditional refurbishment, barn or warehouse conversion, but is equally at home in a modern setting. Let the beautiful lines of the Kensington magically enhance your room.

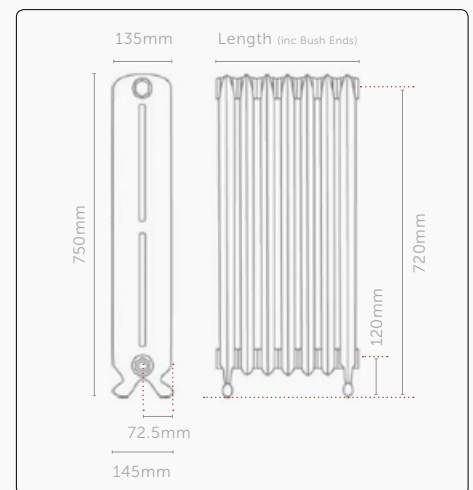
HEIGHT (Please select your required height to view heat output and specifications)

580 **750** 780

CODE	SECTIONS	LENGTH	OUTPUT		WEIGHT (KG)	WATER CONTENT (LTRs)
			75 / 65 / 20 BTUs	WATTS		
KEN-750-03	3	247	1160	340	20	4.50
KEN-750-04	4	318	1546	453	27	6.00
KEN-750-05	5	389	1933	566	34	7.50
KEN-750-06	6	460	2319	680	41	9.00
KEN-750-07	7	531	2706	793	47	10.50
KEN-750-08	8	602	3092	906	54	12.00
KEN-750-09	9	673	3479	1020	61	13.50
KEN-750-10	10	744	3865	1133	68	15.00
KEN-750-11	11	815	4252	1246	74	16.50
KEN-750-12	12	886	4638	1359	81	18.00
KEN-750-13	13	957	5025	1473	88	19.50
KEN-750-14	14	1028	5411	1586	95	21.00
KEN-750-15	15	1099	5798	1699	101	22.50
KEN-750-16	16	1170	6184	1812	108	24.00
KEN-750-17	17	1241	6571	1926	115	25.50
KEN-750-18	18	1312	6957	2039	122	27.00
KEN-750-19	19	1383	7344	2152	128	28.50
KEN-750-20	20	1454	7730	2266	135	30.00
KEN-750-21	21	1525	8117	2379	142	31.50
KEN-750-22	22	1596	8503	2492	149	33.00
KEN-750-23	23	1667	8890	2606	156	34.50
KEN-750-24	24	1738	9276	2719	162	36.00
KEN-750-25	25	1809	9663	2832	169	37.50
KEN-750-26	26	1880	10049	2945	176	39.00
KEN-750-27	27	1951	10436	3059	183	40.50
KEN-750-28	28	2022	10822	3172	189	42.00
KEN-750-29	29	2093	11209	3285	196	43.50
KEN-750-30	30	2164	11595	3398	203	45.00
KEN-750-31	31	2235	11982	3512	210	46.50
KEN-750-32	32	2306	12368	3625	216	48.00
KEN-750-33	33	2377	12755	3738	223	49.50
KEN-750-34	34	2448	13141	3851	230	51.00
KEN-750-35	35	2519	13528	3965	237	52.50
KEN-750-36	36	2590	13914	4078	243	54.00
KEN-750-37	37	2661	14301	4191	250	55.50
KEN-750-38	38	2732	14687	4305	257	57.00
KEN-750-39	39	2803	15074	4418	264	58.50
KEN-750-40	40	2874	15460	4531	270	60.00

Maximum test pressure = 3.3 bar | Maximum working pressure = 2.5 bar

Lengths quoted are given in good faith. However, due to the nature of the manufacturing process tolerances can and should be expected. Quoted dimensions should therefore only be used as a guideline. Longer lengths are available on request.



Contact our
scandinavian distributor:

sales@agentur-huset.com

www.agentur-huset.com

Agenturhuset AB
Garnisonsgatan 13
SE-25466 Helsingborg

Kensington

With a fabulous fluid form and exquisite ornate detail, this vintage radiator exudes luxury. The Kensington vintage cast iron radiator is a decoratively distinctive vintage styled cast iron radiator that echoes a bygone era. This freestanding vintage radiator has a stunning ornate scrolled detail that lends itself well to our hand-painted highlight option or an antique paint effect. The Kensington is a popular choice for a traditional refurbishment, barn or warehouse conversion, but is equally at home in a modern setting. Let the beautiful lines of the Kensington magically enhance your room.

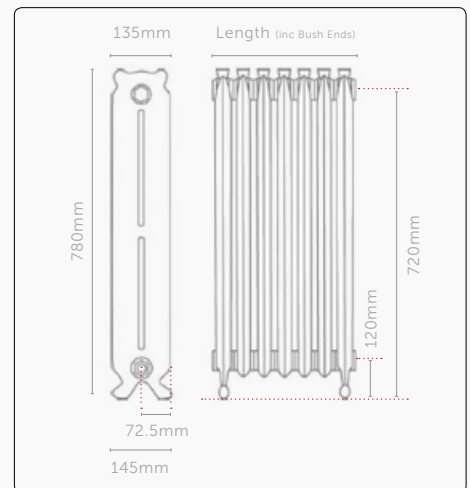
HEIGHT (Please select your required height to view heat output and specifications)

580 750 **780**

CODE	SECTIONS	LENGTH	OUTPUT		WEIGHT (KG)	WATER CONTENT (LTRs)
			75 / 65 / 20 BTUs	WATTS		
KEN-780-03	3	247	1190	349	22	4.50
KEN-780-04	4	318	1586	465	29	6.00
KEN-780-05	5	389	1983	581	36	7.50
KEN-780-06	6	460	2379	697	44	9.00
KEN-780-07	7	531	2776	814	51	10.50
KEN-780-08	8	602	3172	930	58	12.00
KEN-780-09	9	673	3569	1046	65	13.50
KEN-780-10	10	744	3965	1162	73	15.00
KEN-780-11	11	815	4362	1278	80	16.50
KEN-780-12	12	886	4758	1394	87	18.00
KEN-780-13	13	957	5155	1511	94	19.50
KEN-780-14	14	1028	5551	1627	102	21.00
KEN-780-15	15	1099	5948	1743	109	22.50
KEN-780-16	16	1170	6344	1859	116	24.00
KEN-780-17	17	1241	6741	1976	123	25.50
KEN-780-18	18	1312	7137	2092	131	27.00
KEN-780-19	19	1383	7534	2208	138	28.50
KEN-780-20	20	1454	7930	2324	145	30.00
KEN-780-21	21	1525	8327	2441	153	31.50
KEN-780-22	22	1596	8723	2557	160	33.00
KEN-780-23	23	1667	9120	2673	167	34.50
KEN-780-24	24	1738	9516	2789	174	36.00
KEN-780-25	25	1809	9913	2905	182	37.50
KEN-780-26	26	1880	10309	3021	189	39.00
KEN-780-27	27	1951	10706	3138	196	40.50
KEN-780-28	28	2022	11102	3254	203	42.00
KEN-780-29	29	2093	11499	3370	211	43.50
KEN-780-30	30	2164	11895	3486	218	45.00
KEN-780-31	31	2235	12292	3603	225	46.50
KEN-780-32	32	2306	12688	3719	232	48.00
KEN-780-33	33	2377	13085	3835	240	49.50
KEN-780-34	34	2448	13481	3951	247	51.00
KEN-780-35	35	2519	13878	4067	254	52.50
KEN-780-36	36	2590	14274	4183	261	54.00
KEN-780-37	37	2661	14671	4300	269	55.50
KEN-780-38	38	2732	15067	4416	276	57.00
KEN-780-39	39	2803	15464	4532	283	58.50
KEN-780-40	40	2874	15860	4648	290	60.00

Maximum test pressure = 3.3 bar | Maximum working pressure = 2.5 bar

Lengths quoted are given in good faith. However, due to the nature of the manufacturing process tolerances can and should be expected. Quoted dimensions should therefore only be used as a guideline. Longer lengths are available on request.



Contact our
scandinavian distributor:

sales@agentur-huset.com

www.agentur-huset.com

Agenturhuset AB
Garnisonsgatan 13
SE-25466 Helsingborg