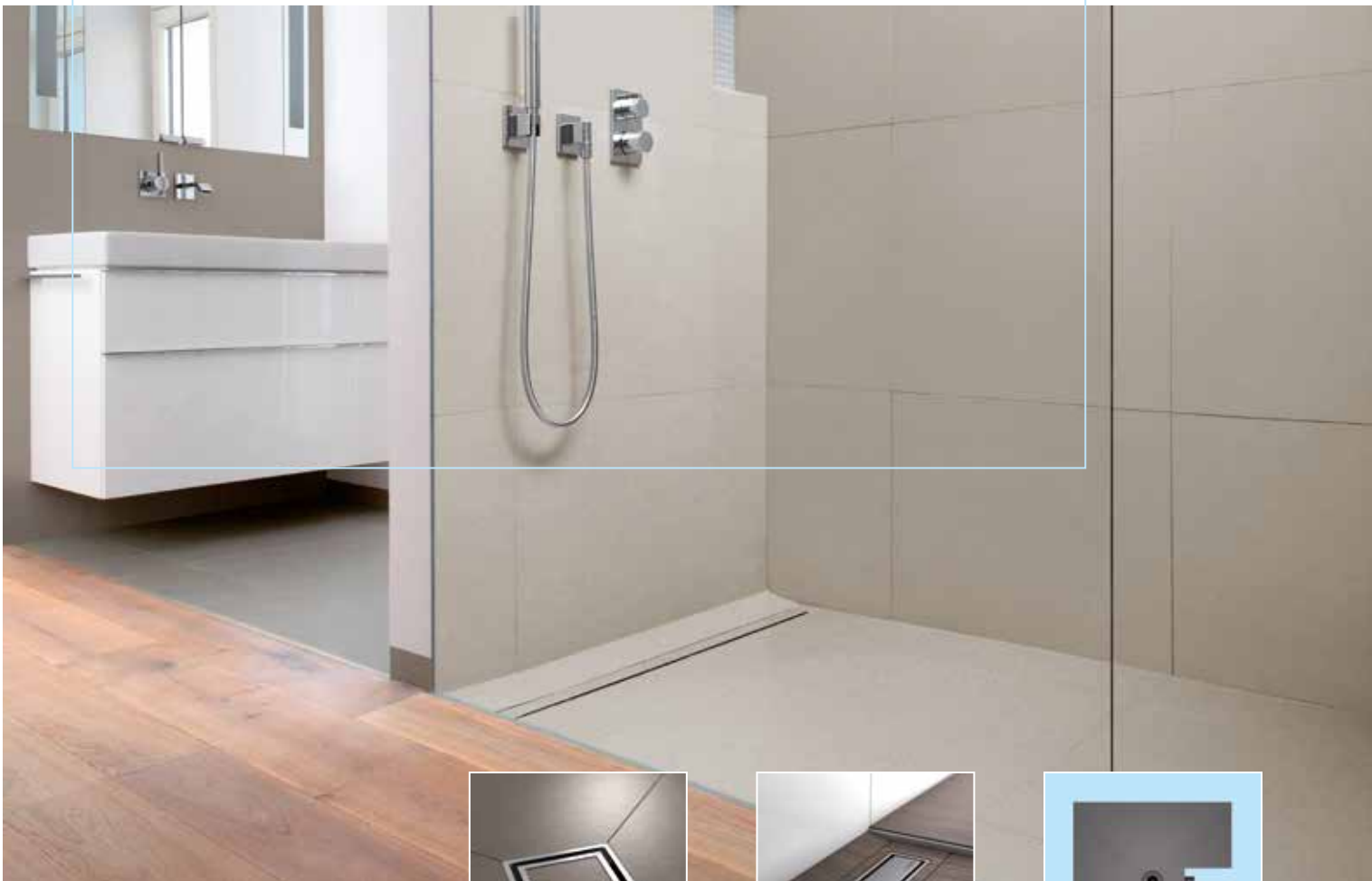


wedi Fundo Shower Systems

Economical, safe and accessible!



www.wedfi®

Contents

04	Versatile. Reliable. Fundo.	4
10	Point shower system	10
	▪ System	12
	▪ Fundo Plano	14
	▪ Fundo Integro	18
	▪ Fundo Primo	22
	▪ Fundo Ligno	26
	▪ Fundo Borgo / Trollo / Nautilo	30
	▪ Accessory products	34
36	Linear shower system	36
	▪ System	38
	▪ Fundo Plano Linea	40
	▪ Fundo Riolito neo	44
	▪ Fundo Riolito	48
	▪ Fundo Riofino	52
	▪ Fundo Discreto	56
	▪ Accessory products	60
64	Design and shape	64
	▪ The new Top range	66
	▪ Sanoasa seating elements	72
74	System accessories	74
82	System technology	82



Versatile. Reliable. Fundo®.

Floor-level showers for the highest demand

When selecting flush-to-floor showers, the most sought-after characteristics are quality, reliability, functionality and design whilst also offering a straightforward, safe and quick installation. These requirements form the basis of the wedi Fundo shower systems.

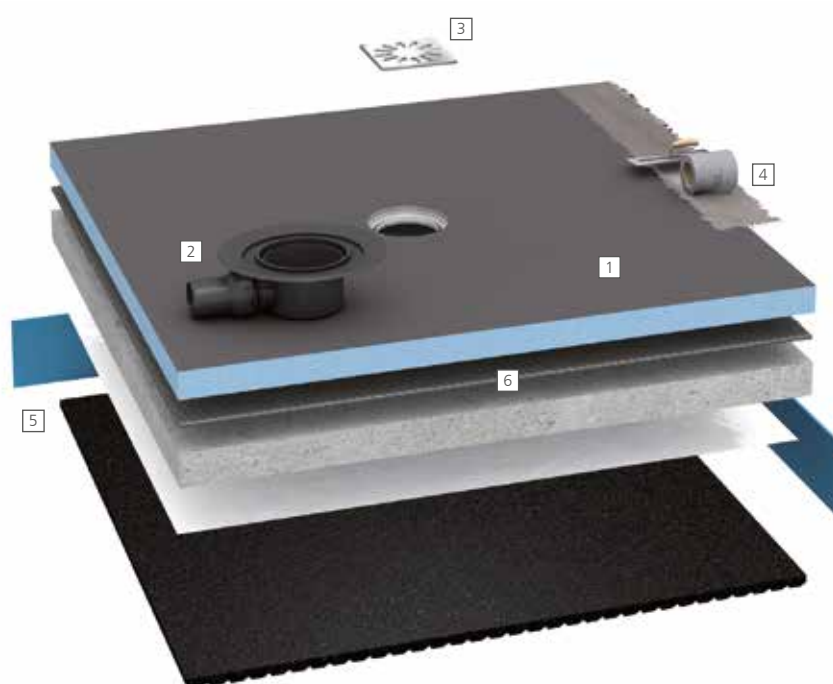
Whether a conventional shower element or a complete system with integrated technology with either classic point drainage or elegant linear drainage – whatever the requirement is, the right shower element can be found in the Fundo series: 10 designs, 3 different drain locations and numerous sizes to meet the high demand of planners, contractors and installers.



Classic system

Floor-level shower, for example with Fundo Primo®

The classic system consists of a floor-level shower element with either point or linear drainage and a corresponding drain. There are numerous drain versions available to choose from to suit all requirements, and while the scope of delivery includes a standard stainless steel grate for the point drainage, channel covers for the linear drainage must be purchased individually of which there are 3 versions to choose from. High-quality designer grates for point drainage can also be found and purchased separately from the wedi product range. The entire perimeter of the shower element is sealed with the Fundo sealing set consisting of wedi 520 waterproof membrane, wedi Tools sealing tape and wedi Tools sealing corners.

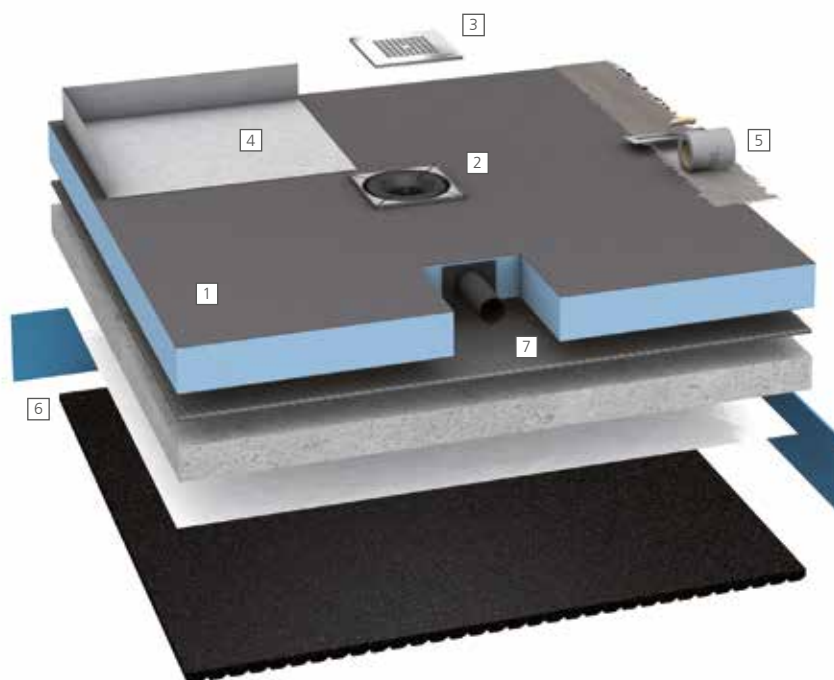


- 1 Shower element ▪ e.g. Fundo Primo with classic point drainage
- 2 Drainage ▪ e.g. the Fundo drain DN 50 horizontal
- 3 Drain cover ▪ e.g. the standard grate, which is included in the scope of delivery of the Fundo drain
- 4 Seal ▪ e.g. with the wedi Fundo sealing set, consisting of wedi 520, wedi Tools sealing tape and wedi Tools sealing corners
- 5 Sound insulation ▪ e.g. with the combination of wedi edge insulation strips, the wedi Nonstep Pro sound-insulation mat and PE film
- 6 Tile adhesive ▪ for full-surface bonding of the Fundo elements to the substrate

Complete system

Floor-level shower, for example with Fundo Plano®

The complete system is also available with either point or linear drainage, except that the drainage here is integrated inside the shower element during the manufacturing process. Standard stainless steel drain covers are included in the scope of delivery, in this case for both point and linear designs. The entire perimeter of the shower element is sealed with the Fundo sealing set consisting of wedi 520 waterproof membrane, wedi Tools sealing tape and wedi Tools sealing corners.



- 1 Shower element ▪ e.g. Fundo Plano, complete system with integrated drainage
- 2 Drainage system ▪ the drainage is factory integrated into the Fundo Plano ground element
- 3 Drain cover ▪ a standard grate is included with delivery of the Fundo Plano
- 4 Sealing sheet ▪ especially for sealing the pipe connection (included in the scope of delivery)
- 5 Seal ▪ e.g. with the wedi Fundo sealing set, consisting of wedi 520, wedi Tools sealing tape and wedi Tools sealing corners
- 6 Sound insulation ▪ e.g. with the combination of wedi edge insulation strips, the wedi Nonstep Pro sound-insulation mat and PE film
- 7 Tile adhesive ▪ for full-surface bonding of the Fundo elements to the substrate



The wedi principle of customised design

The modular wedi system allows unlimited possibilities in bathroom and wetroom design. Whether it's a new build or a renovation project, thanks to the perfectly coordinated wedi products – from simple building boards through numerous shower and bath elements to the various complete system solutions – and appropriate sealing and installation accessories, the design of any wetroom or bathroom can easily be tailored to individual requirements.

wedi headquarters

Telephone +44 (0)161 864 2336
Fax +44 (0)161 864 1323

General enquiries

E-Mail info@wedi.co.uk

Sales enquiries

E-Mail sales@wedi.co.uk

Technical enquiries

E-Mail technical@wedi.co.uk



New build initial situation



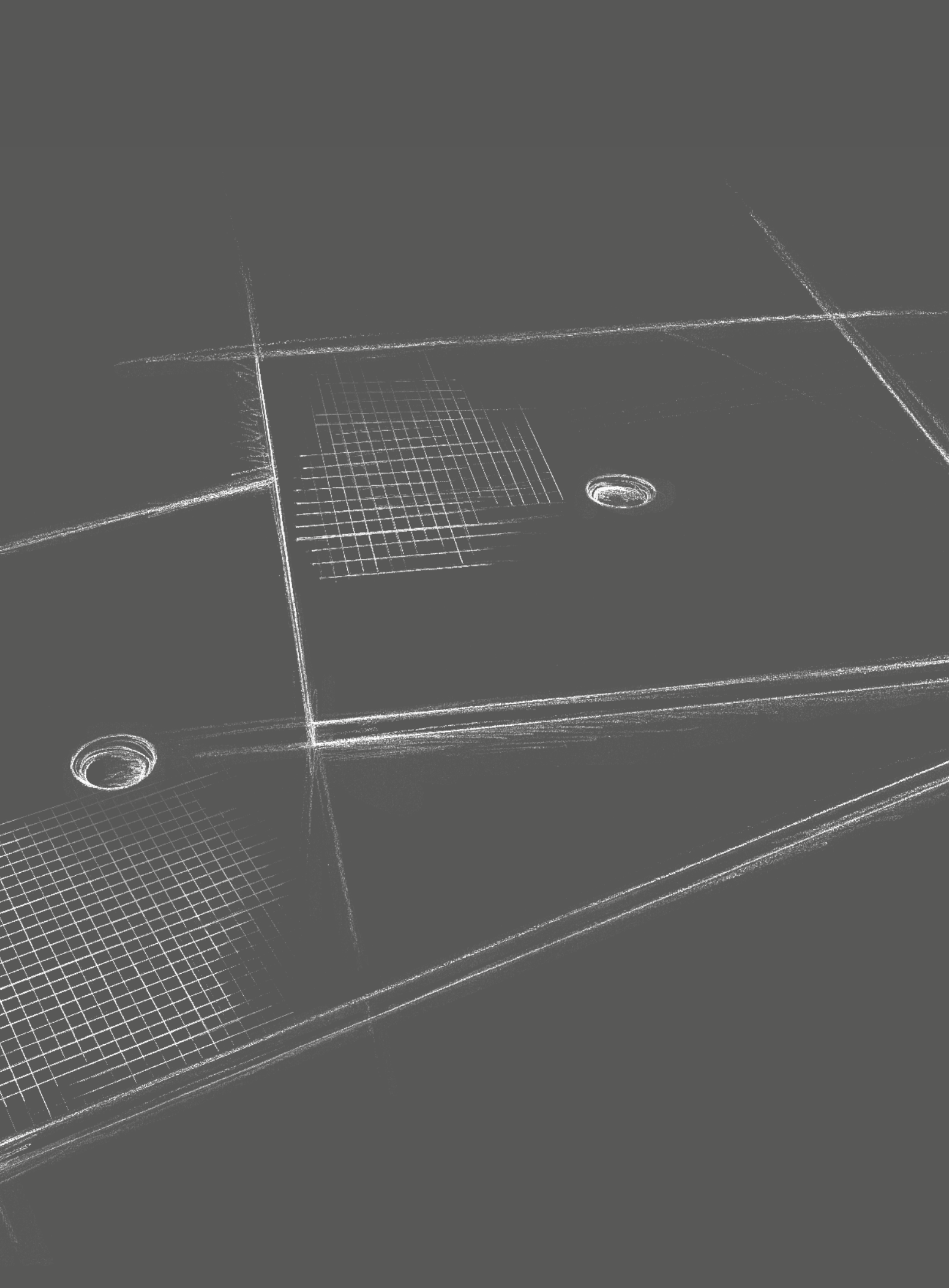
Renovation initial situation



Complete solution with wedi

Point shower system

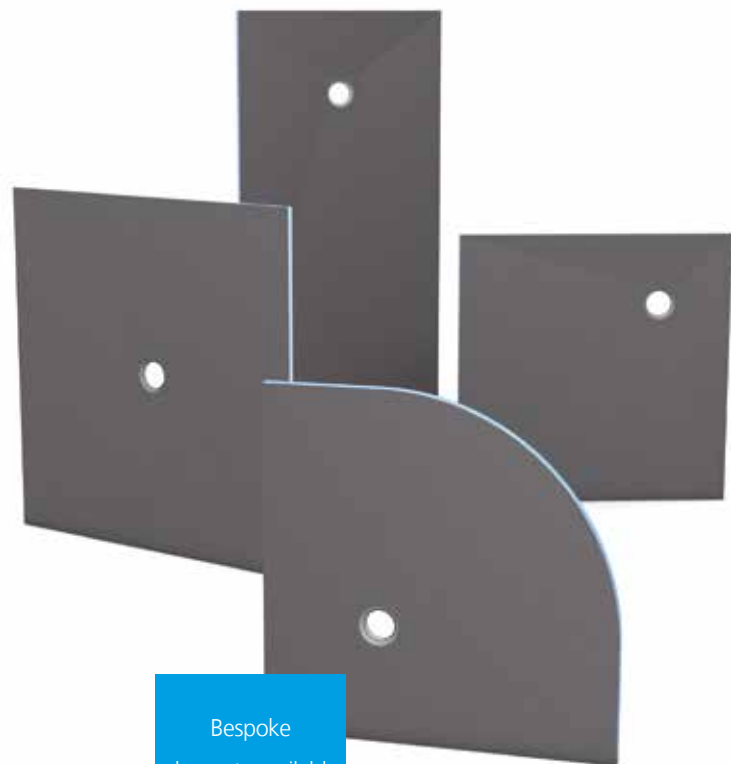
From the flush-to-floor shower element through matching drains incl. covers to ready-to-use surface finishes, all wedi system components can be combined with one another.



Overview of wedi Fundo® point shower systems

wedi Fundo point shower systems provide you with all of the necessary, well coordinated components for the installation and sealing of wedi flush-to-floor shower elements.

- Perfect for installation in both screed and suspended timber floors
- In a square, rectangular, round, quarter circle or shell design
- With central, corner or offset drain position
- Optionally with vertical or horizontal drainage
- Easy to install and simple to seal with the appropriate wedi accessories



Bespoke
elements available
upon request

The system variants at a glance

System variant	wedi Fundo shower system point drainage, vertical	wedi Fundo shower system point drainage, horizontal	wedi Fundo shower system point drainage, horizontal, Mini Max
Shower element height	measured at the outer edge	measured at the outer edge	measured at the outer edge
Drain bowl height	Omitted in this installation situation	85 mm	57 mm

For total construction height, the adhesive bed thickness of minimum 4 – 6 mm must be incorporated.

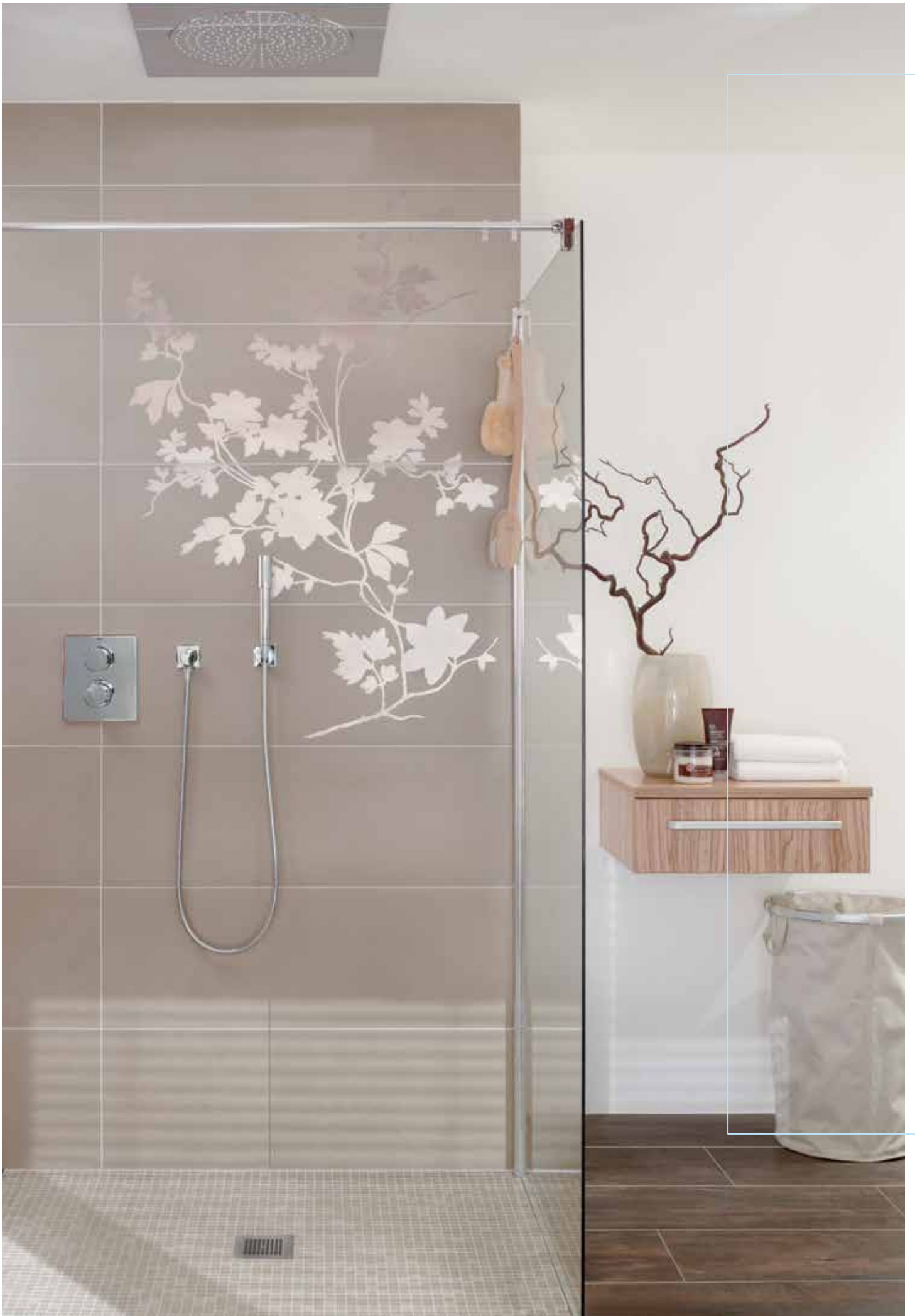
Required system components

System component	wedi product		
Shower element	wedi Fundo shower element with point drainage		
Drain	wedi Fundo point drain suitable for wedi shower elements with point drainage		
	<table border="1"> <tr> <td>vertical DN 50 vertical DN 50 fire protection collar vertical DN 70 vertical DN 70 fire protection collar</td> <td>horizontal DN 50</td> <td>Mini Max horizontal, extra flat DN 40</td> </tr> </table>	vertical DN 50 vertical DN 50 fire protection collar vertical DN 70 vertical DN 70 fire protection collar	horizontal DN 50
vertical DN 50 vertical DN 50 fire protection collar vertical DN 70 vertical DN 70 fire protection collar	horizontal DN 50	Mini Max horizontal, extra flat DN 40	
Sealing	wedi Fundo sealing set includes all components for sealing of the joints between the wedi Fundo shower element and adjoining areas		
Installation material	wedi 320 flexible cement based Adhesive		

Optional system components

System component	wedi product
Sound insulation	wedi Nonstep Pro sound insulation mat*
	wedi Tools edge insulation strips for acoustic decoupling between the shower element and the wall
Accessories	wedi Fundo substructure set Substructure element for height compensation
	wedi Fundo designer drain cover
	wedi Fundo drain frame
	wedi Fundo drain substructure element suitable for Fundo Ligno and Fundo Primo shower elements with vertical / horizontal DN 50 drain
	Fundo Top ready-to-use surface* tailor-made surfaces for wedi Fundo shower elements

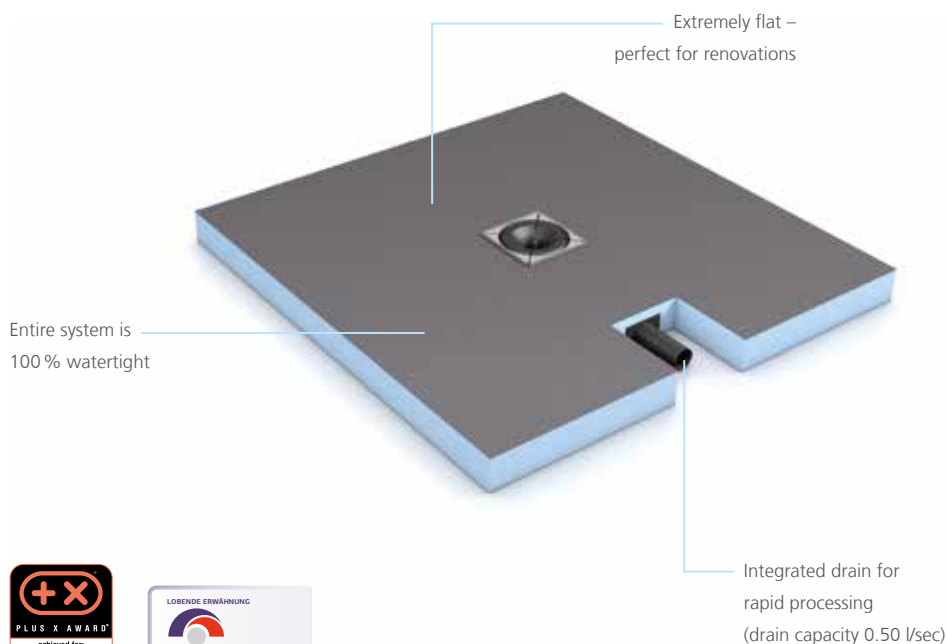
* When using the sound insulation mat, the construction height is increased by 8 or 17 mm.



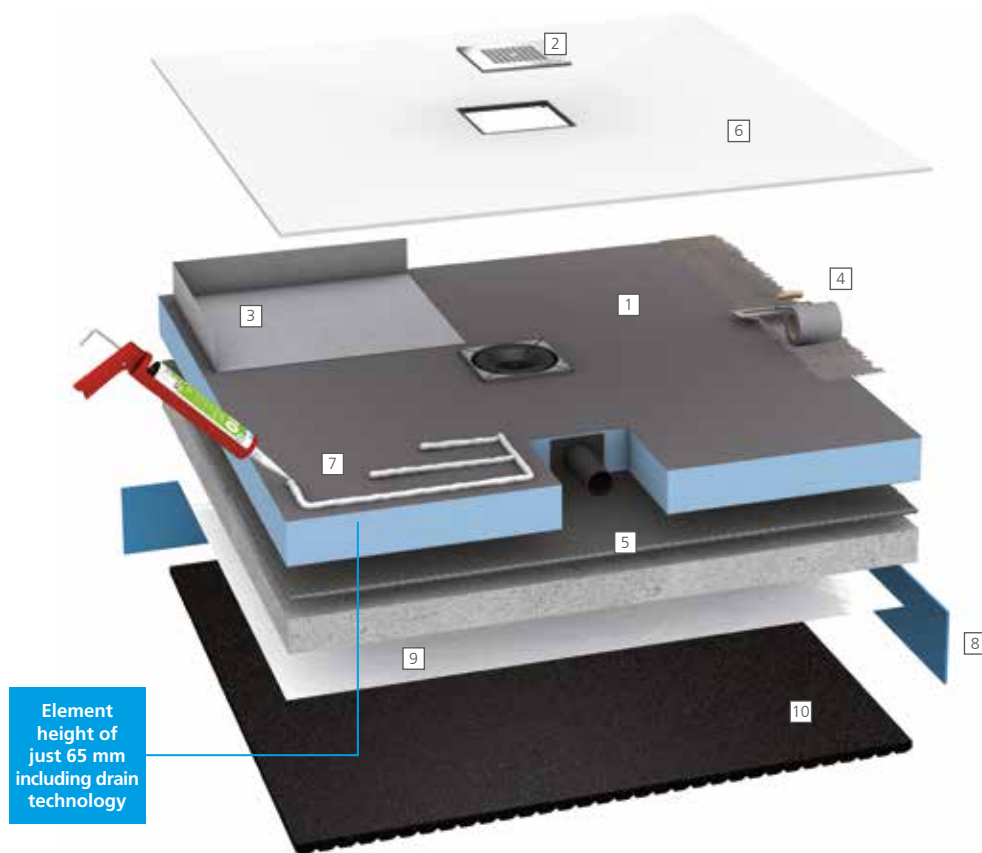
Fundo Plano[®]

The slimmest wedi complete system

The Fundo Plano offers an incredible total construction height of just 65 mm, a precisely defined slope and 40 mm water trap height. It is available in various sizes, with central or offset point drainage and either long or short side pipe-connection. Like all the other Fundo elements it guarantees a 100 % watertightness and allows for a straightforward and time-saving installation.



System construction Fundo Plano®



Scope of delivery

- 1 Fundo Plano ▪ extremely flat flush to floor shower element with integrated drain technology
- 2 wedi Fundo drain grid ▪ design drain cover exclusive to Fundo Plano
- 3 Fundo Plano sealing sheet ▪ for sealing the filled gap for the pipe connection

Required system components

- 4 wedi Fundo sealing set ▪ for sealing of the perimeter of Fundo shower elements when connecting to adjacent surfaces
- 5 wedi 320 ▪ for full-surface bonding of wedi Fundo shower elements to the substrate

Optional system components

- 6 Fundo Top ▪ ready-to-install surface for Fundo Plano shower elements
- 7 wedi 610 ▪ adhesive and sealant for the watertight adhesion of the Fundo Top surfaces to the wedi Fundo shower element
- 8 wedi edge insulation strips ▪ Sound insulation and insulation for the area between wedi Fundo shower elements and the wall
- 9 PE film ▪ Standard construction film as a protective layer between the sound insulation mat and mortar
- 10 wedi Nonstep Pro ▪ Sound insulation mats for impact noise insulation under wedi Fundo shower elements



Fundo Plano,
square,
central drain

900 × 900 × 65 mm
1.000 × 1.000 × 65 mm
1.200 × 1.200 × 65 mm

073735600
073735601
073735602



Fundo Plano,
rectangular,
central drain,
short side connection

1.200 × 900 × 65 mm

073735604



Fundo Plano,
rectangular,
central drain,
long side connection

1.200 × 900 × 65 mm

073735603



Fundo Plano,
rectangular,
offset drain

1.400 × 900 × 65 mm
1.600 × 1.000 × 65 mm

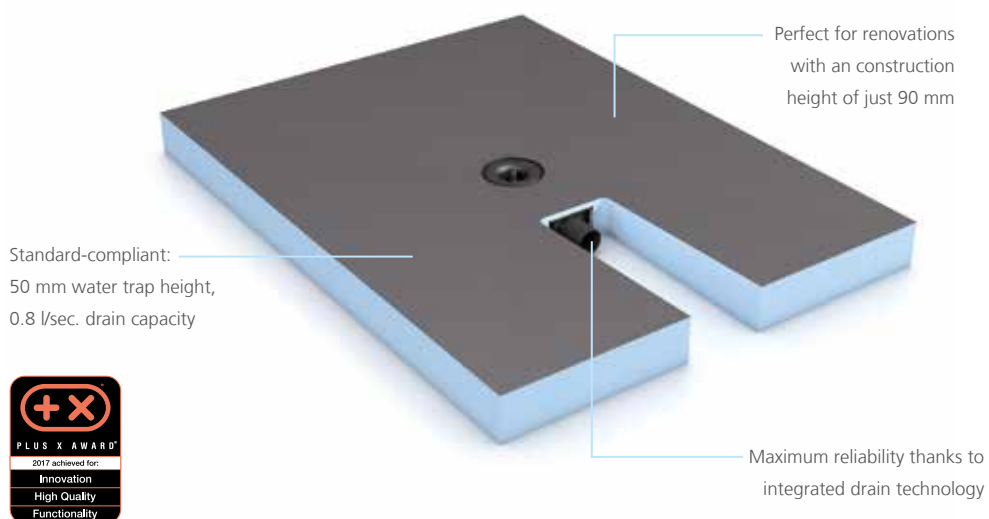
073735605
073735606



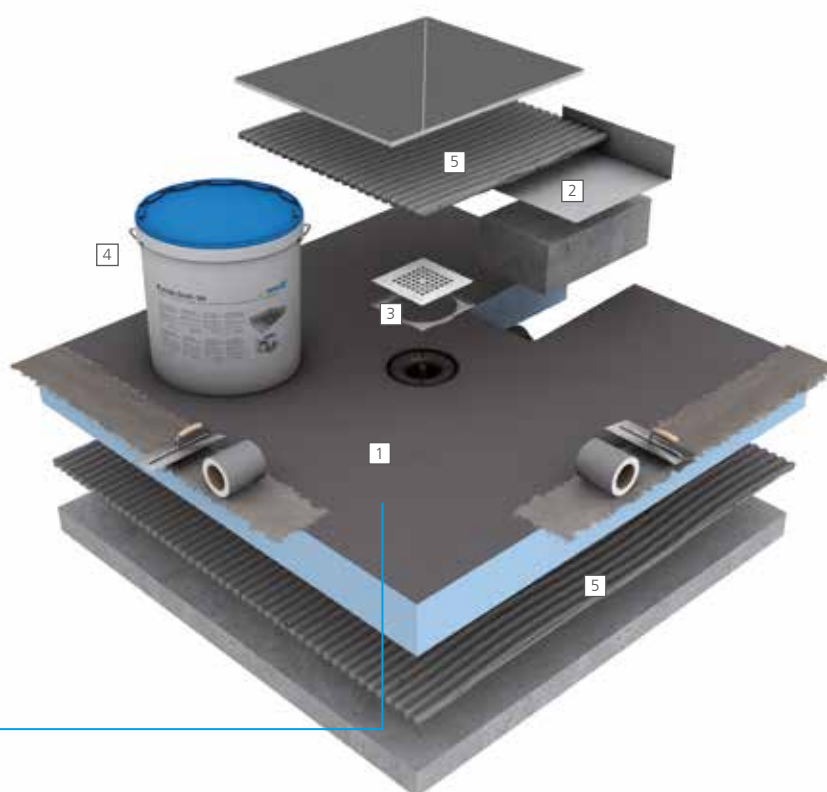
Fundo Integro®

The standard-compliant wedi complete system

The Fundo Integro is the newest flush-to-floor shower element with integrated drain technology from wedi, featuring a 50 mm water trap height, a drain capacity of 0.8 litres per second, at least 1.5 % even pre-formed gradient and 100 % waterproof material. This shower element not only fulfils all relevant standards but offers a total height of just 90 mm! Like all the other Fundo shower elements it is already sealed ready for installation and is available in various sizes, with central or offset point drainage and either long or short side pipe-connection. This complete shower system is simply the perfect solution for all renovation projects, as well as a reliable and time-saving alternative for every installation.



System construction Fundo Integro®



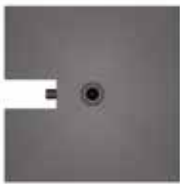
DIN
compliant
DIN EN 1253
DIN EN 12056

Scope of delivery

- 1 **Fundo Integro** ▪ Floor-level shower element with standard-compliant drain technology integrated in the factory
- 2 **Fundo Integro sealing sheet** ▪ for sealing the filled gap for the pipe connection
- 3 **wedi Fundo drain grid** ▪ design drain cover exclusive to Fundo Integro

Required system components

- 4 **wedi Fundo sealing set** ▪ for sealing of the perimeter of Fundo shower elements when connecting to adjacent surfaces
- 5 **wedi 320** ▪ for full-surface bonding of wedi Fundo shower elements to the substrate



Fundo Integro,
square,
central drain

900 × 900 × 90 mm
1.000 × 1.000 × 90 mm
1.200 × 1.200 × 90 mm

075900004
075900008
075900007



Fundo Integro,
rectangular,
central drain,
short side connection

1.200 × 900 × 90 mm

075900005



Fundo Integro,
rectangular,
central drain,
long side connection

1.200 × 900 × 90 mm

075900006



Fundo Integro,
rectangular,
offset drain

1.200 × 900 × 90 mm
1.400 × 900 × 90 mm
1.800 × 900 × 90 mm
1.600 × 1.000 × 90 mm

075900000
075900001
075900003
075900002

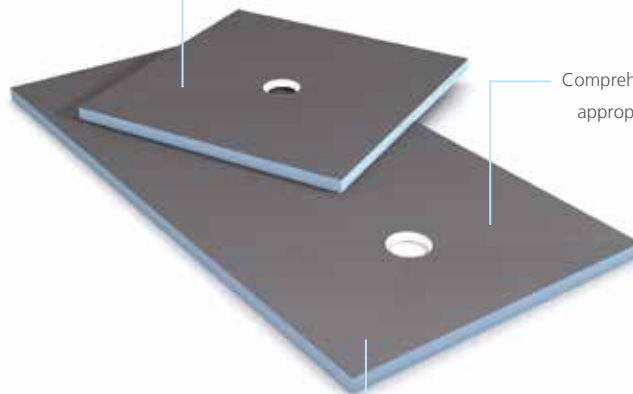


Fundo Primo[®]

Classic point drainage

The founding member of the Fundo family offers shower elements in a huge range of sizes and with 3 different drain locations: central, corner or offset. Whether square or rectangular, positioned in the centre or the corner of the room, they offer an ideal solution for any space and can easily be extended with the use of the corresponding Fundo sloping board or made into a complete shower area with the aid of wedi building boards.

Perfectly even
pre-formed gradient



Comprehensive selection of
appropriate system drains

Huge variety of design,
function and format

System construction Fundo Primo®



Scope of delivery

- 1 **Fundo Primo** ▪ shower element, in this case with central point drainage

Required system components

- 2 **wedi Fundo point drain** ▪ in this case with a horizontal DN 50 drain including drain cover
- 3 **wedi Fundo sealing set** ▪ for sealing of the perimeter of Fundo shower elements when connecting to adjacent surfaces
- 4 **wedi 320** ▪ for full-surface bonding of wedi Fundo shower elements to the substrate

Optional system components

- 5 **Fundo Top** ▪ ready-to-install surface for Fundo Primo shower elements
- 6 **wedi 610** ▪ adhesive sealant for the watertight adhesion of the Fundo Top to the wedi Fundo shower element
- 7 **wedi edge insulation strips** ▪ Sound insulation and insulation for the area between wedi Fundo shower elements and the wall
- 8 **PE film** ▪ Standard construction film as a protective layer between the sound insulation mat and mortar
- 9 **wedi Nonstep Pro** ▪ Sound insulation mats for impact noise insulation under wedi Fundo shower elements



**Fundo Primo,
square,
central drain**

900 × 900 × 40 mm	073735170
1.000 × 1.000 × 40 mm	073735131
1.200 × 1.200 × 40 mm	073735171
1.500 × 1.500 × 40 mm	073735175



**Fundo Primo,
square,
corner drain**

900 × 900 × 40 mm	073736170
1.000 × 1.000 × 40 mm	073735531
1.200 × 1.200 × 40 mm	073736171
1.500 × 1.500 × 40 mm	073736175



**Fundo Primo,
rectangular,
central drain**

900 × 750 × 40 mm	073735176
1.200 × 900 × 40 mm	073735174
1.400 × 900 × 40 mm	073735196
1.500 × 900 × 40 mm	073736120
1.800 × 900 × 40 mm	073735580
1.400 × 1.000 × 40 mm	073735198
1.500 × 1.000 × 40 mm	073736121



**Fundo Primo,
rectangular,
offset drain**

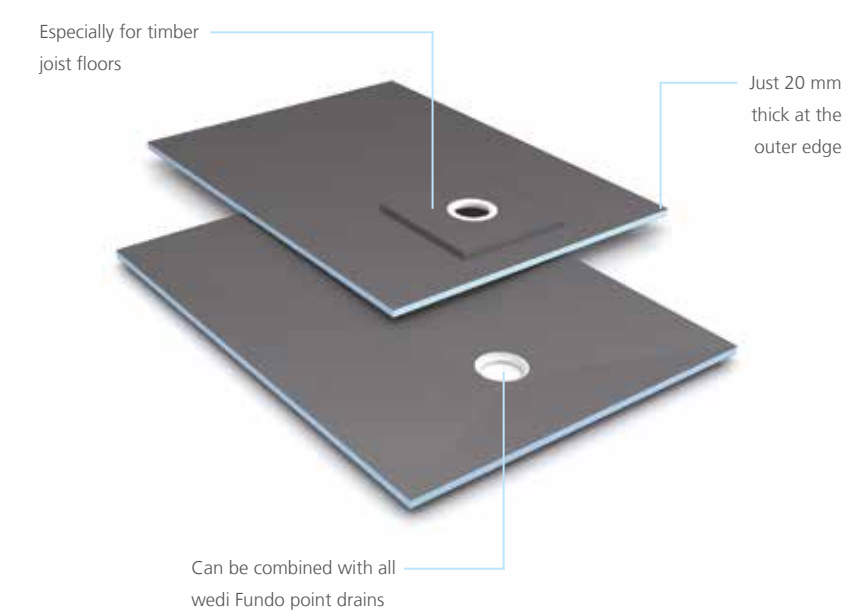
1.200 × 900 × 40 mm	073736174
1.400 × 900 × 40 mm	073735150
1.600 × 900 × 40 mm	073735151
1.800 × 900 × 40 mm	073735180
1.600 × 1.000 × 40 mm	073735152
2.000 × 1.000 × 40 mm	073736176



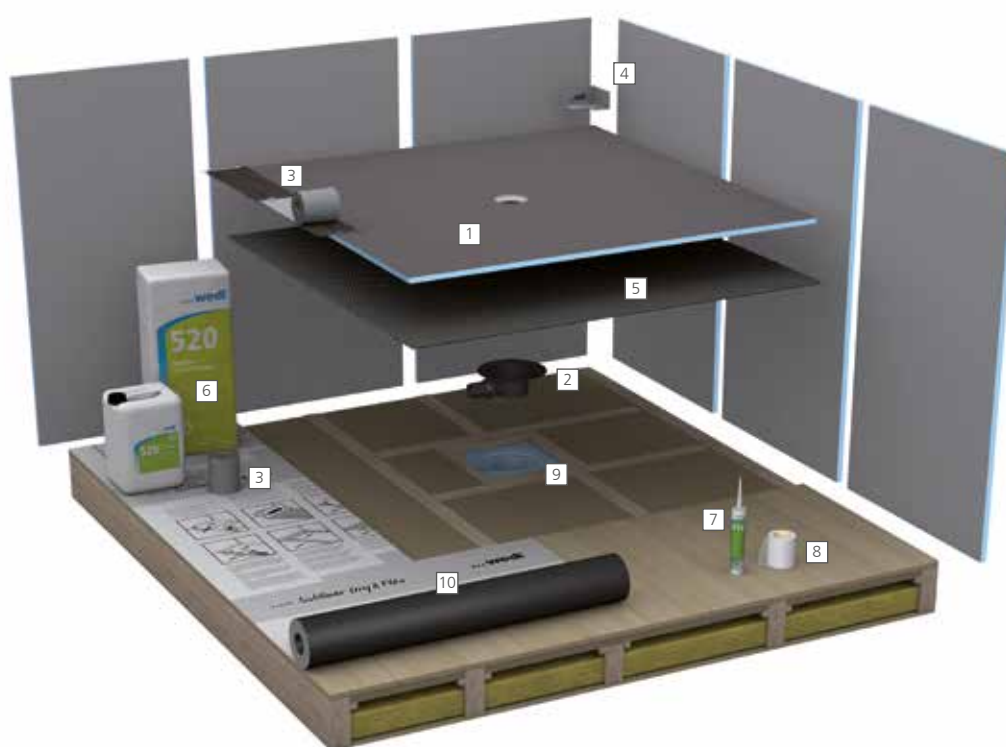
Fundo Ligno[®]

Point drainage for suspended timber floors

The Fundo Ligno shower element with outer edges of just 20 mm has been specially developed for use in existing and new builds with wooden floors. In contrast to traditional shower elements, the wedi Fundo Ligno is adapted to the covering wood layer and as a result can be integrated into it wonderfully without cutting into floor joists or building up further height. However it can also be installed on top of floorboards in conjunction with wedi building boards to level the height on site.



System construction Fundo Ligno®



Scope of delivery

- 1 **Fundo Ligno** ▪ flush to floor shower element for wooden beam joists

Required system components

- 2 **wedi Fundo point drain** ▪ integrated into the Fundo Ligno substructure element
- 3 **wedi Tools sealing tape** ▪ for the reliable sealing of intersections and butt joints
- 4 **wedi Tools corners** ▪ for reliable sealing of corner joints
- 5 **wedi 320** ▪ for full-surface bonding of wedi Fundo shower elements to the substrate
- 6 **wedi 520** ▪ flexible sealant for sealing the sealing details
- 7 **wedi 610** ▪ adhesive and sealant for the watertight adhesion of joints

Optional system components

- 8 **wedi Tools reinforcement tape** ▪ for reinforcing joints
- 9 **Fundo Ligno substructure element** ▪ integrated into the suspended timber floor
- 10 **wedi Subliner Dry & Flex** ▪ crack-bridging sealing and decoupling membrane



Fundo Ligno,
square,
central drain

900 × 900 × 20/41 mm
1.200 × 1.200 × 20/41 mm
1.500 × 1.500 × 20/41 mm

073732011
073732012
073732013



Fundo Ligno,
square,
corner drain

900 × 900 × 20/41 mm
1.200 × 1.200 × 20/41 mm

073732021
073732023



Fundo Ligno,
rectangular,
offset drain

1.200 × 900 × 20/41 mm
1.600 × 900 × 20/41 mm

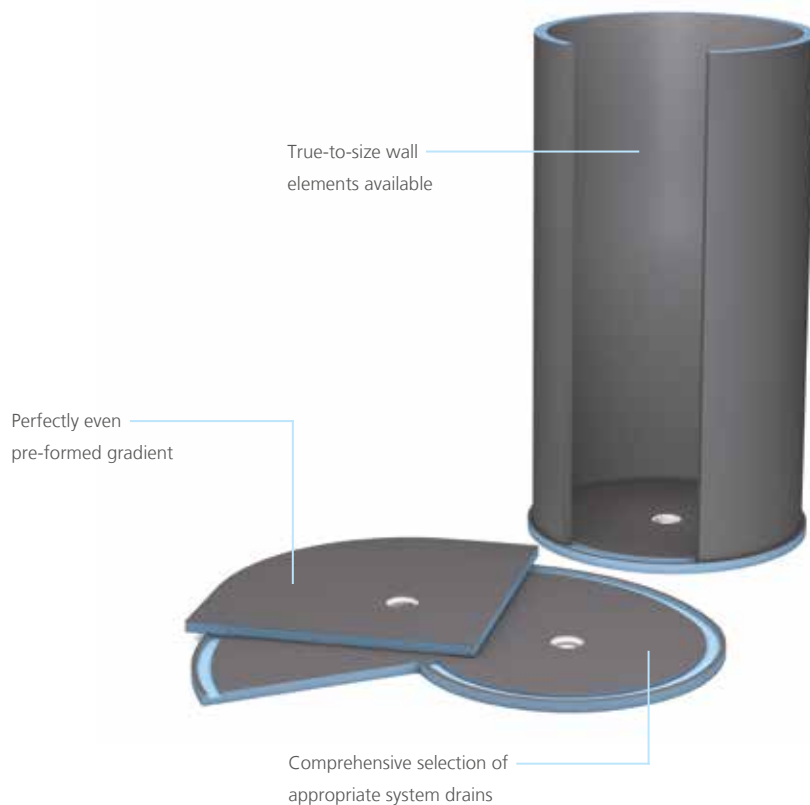
073732022
073732024



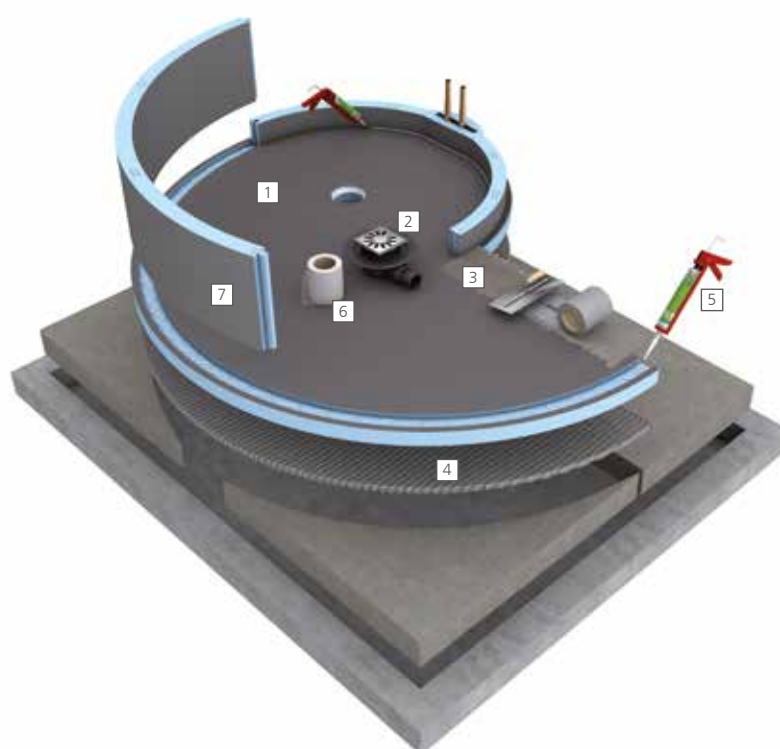
Fundo designer showers

Shower elements in unusual shapes

Wet rooms used to be reserved for trendy boutique hotels and luxury developments, but over the last couple of years they became an a-la-mode bathroom choice for homes and public wellness & leisure facilities as they offer a visual highlight with high functionality. These Fundo elements unite creative linear guidance with natural shapes and can also be combined with matching wall elements allowing them to be placed even in the middle of the room! The shower is turned into a feature and becomes the absolute highlight of the bathroom.



System construction special solutions



Scope of delivery

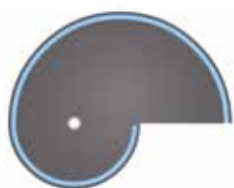
- 1 Fundo Nautilo ▪ Shell shaped shower element with point drainage

Required system components

- 2 wedi Fundo point drain ▪ in this case with a horizontal DN 50 drain including drain cover
- 3 wedi Fundo sealing set ▪ for sealing of the perimeter of Fundo shower elements when connecting to adjacent surfaces
- 4 wedi 320 ▪ for full-surface bonding of wedi Fundo shower elements to the substrate
- 5 wedi 610 ▪ adhesive and sealant for the watertight adhesion of joints
- 6 wedi Tools reinforcement tape ▪ for reinforcing joints

Optional system components

- 7 Fundo Nautilo libero wall element ▪ matching wall element with supply channel for the Fundo Nautilo shower element



Fundo Nautilo,
helical,
right entry

1.890 × 1.515 × 50 mm

073736066



Fundo Nautilo,
helical,
left entry

1.890 × 1.515 × 50 mm

073736065



Fundo Borgo,
quadrant,
corner drain

900 × 900 × 40 mm
1.000 × 1.000 × 40 mm

073735576

073736576



Fundo Trollo,
circular,
central drain

Ø 1.140 × 40 mm

073736575

wedi Fundo® point drain

Point drainage – thanks to the low bowl heights the Fundo point drains are perfect for both new build and renovation projects. There is a variety of different versions for vertical and horizontal designs, but with all of them, a square or round standard stainless steel grate is included in the scope of delivery.



wedi Fundo® Substructure set

Flush-to-floor shower elements in the wedi Fundo range can be brought to the right height using the new wedi Fundo substructure set. Each set contains: two substructure elements with heights of 30 and 60 mm – to allow substructure heights of 30, 60 and 90 mm to be created easily and reliably - and three pre-formed drain mount rings to suit Fundo point and channel drains. What's more, exterior dimensions, drain and pipe position can be individually adjusted on site.



Exclusive drain covers for point drainage

Whether round or square in shape, as a standard version or in solid stainless steel – the wedi drain covers are the perfect solution for all tile shapes and colours and are always supplied with the appropriate frame, in stainless steel or plastic according to type. The new tileable wedi Fundo drain cover with blackened channel is an optical highlight here.



wedi Fundo drain grid 7.1



wedi Fundo drain grid 1.1



wedi Fundo drain grid 2.1



wedi Fundo drain grid 5.1



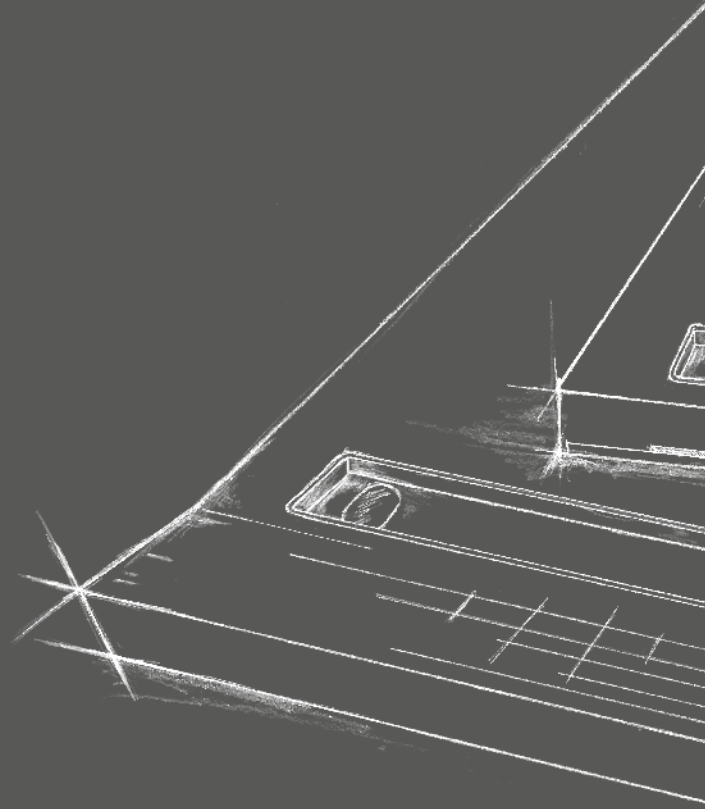
wedi Fundo drain grid 4.2

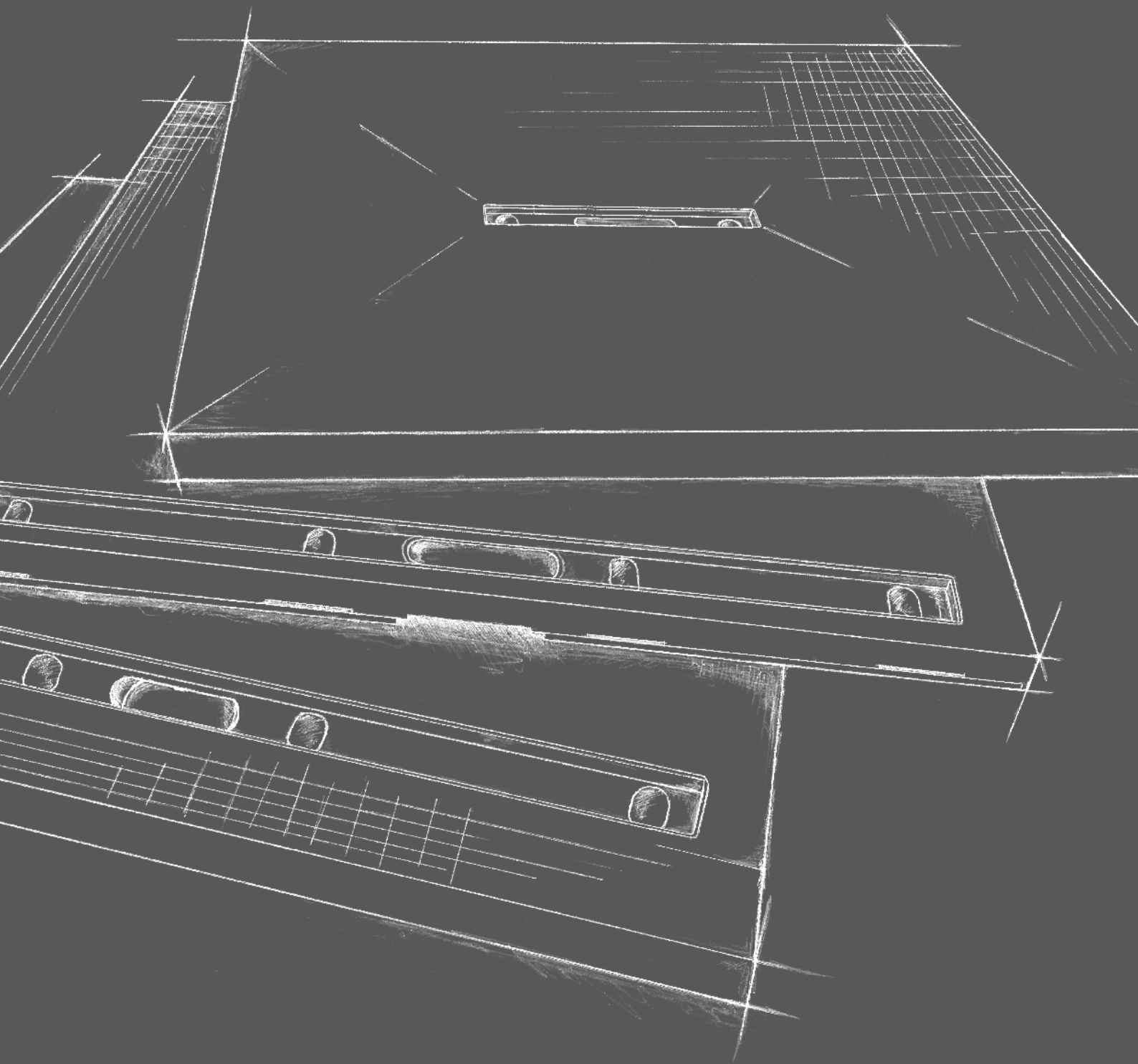


wedi Fundo drain grid 3.2

Linear shower system

Everything for the shower area with stylish linear drainage, optionally with the drainage channel close to the wall, at a distance from the wall or centrally positioned. In addition to the shower element, wedi offers matching drains and a wide variety of height-adjustable channel covers with standard, exclusive or tileable design.





Overview of wedi Fundo[®] linear shower systems

wedi Fundo linear shower systems provide you with all of the necessary, well coordinated components for the installation and sealing of wedi flush-to-floor shower elements.

- Perfect for installation in/on both screed and timber floors
- In a square and rectangular design
- With a short or long channel
- With the drain positioned close to the wall, at a distance from the wall or in the centre
- Optionally with vertical or horizontal drainage
- Easy to install and simple to seal with the appropriate wedi accessories



Bespoke
elements available
upon request

The system variants at a glance

System variant	wedi Fundo shower system linear drainage, vertical	wedi Fundo shower system linear drainage, horizontal	wedi Fundo shower system linear drainage, horizontal, Mini Max
Shower element height	measured at the outer edge	measured at the outer edge	measured at the outer edge
Drain bowl height	Omitted in this installation situation	80 mm	49 mm

For total construction height, the adhesive bed thickness of minimum 4 – 6 mm must be incorporated.

Required system components

System component	wedi product	
Shower element	wedi Fundo shower element with linear drainage	
Drain	wedi Fundo channel drain suitable for wedi shower elements with linear drainage	
	vertical DN 50 vertical DN 50 fire protection collar	horizontal DN 50
Channel cover	wedi Fundo channel cover suitable for wedi Fundo linear drains	
Sealing	wedi Fundo sealing set includes all components for sealing of the joints between the wedi Fundo shower element and adjoining areas	
Installation material	wedi 320 flexible cement based Adhesive	

Optional system components

System component	wedi product
Sound insulation *	wedi Nonstep Pro sound insulation mat
	wedi Tools edge insulation strips for acoustic decoupling between the shower element and the wall
Accessories	wedi Tools step-folded, sloped lip-end sealing tape Specially preformed sealing corners for wedi Fundo shower elements with linear drainage
	Fundo Discreto attachment element for an optical wall drain
	wedi Fundo slope profiles for optical slope compensation
	wedi Fundo substructure set Substructure element for height compensation
	Fundo Top ready-to-use surface tailor-made surfaces for wedi Fundo shower elements

* When using the sound insulation mat, the construction height is increased by 8 or 17 mm.

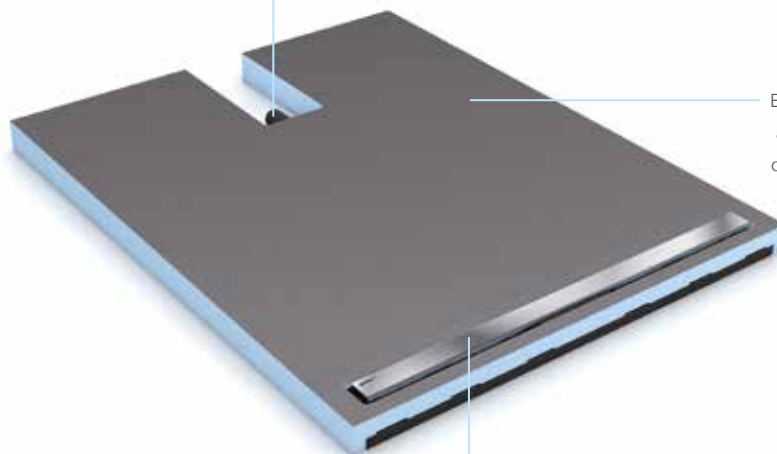


Fundo Plano[®] Linea

The elegant wedi complete system

Featuring modern linear drainage, the Fundo Plano Linea offers a total construction height of just 70 mm, a precisely defined slope and 40 mm water trap height. Its linear drainage is positioned very close to the wall and is available in various sizes with either a short or long channel. The Plano Linea naturally offers all the benefits of a tried-and-tested wedi system, from the guaranteed 100 % watertightness to the straightforward and time-saving installation.

Complete system incl.
integrated drain technology

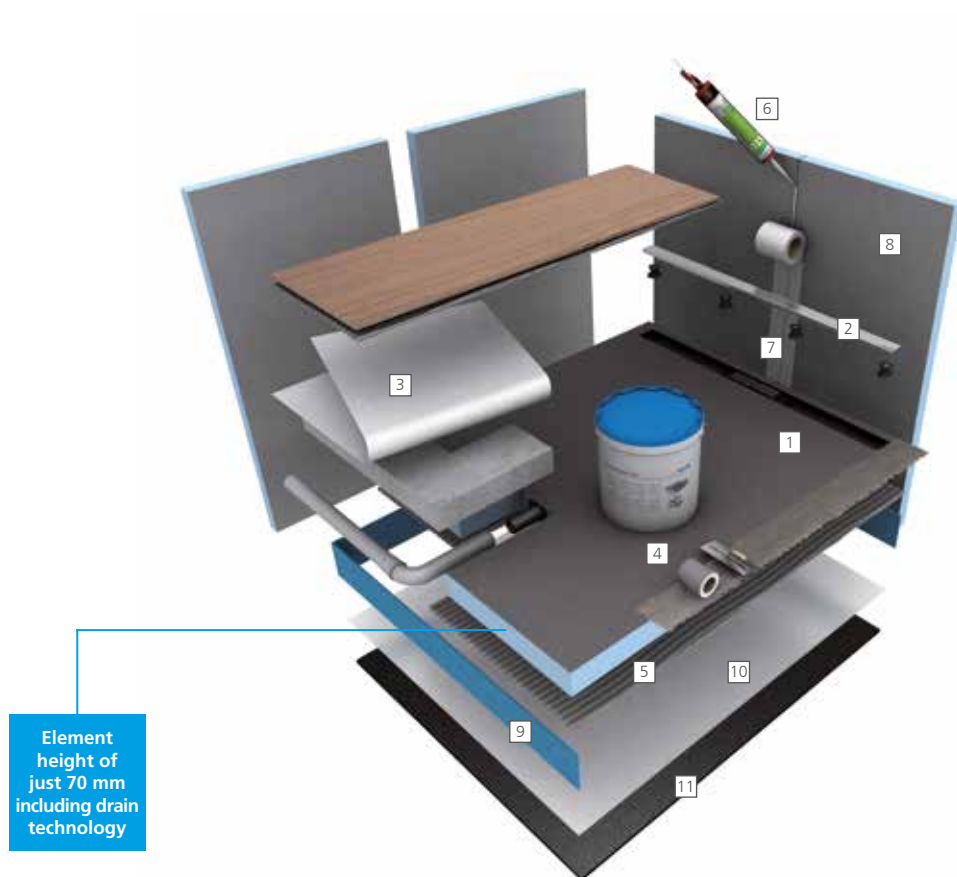


Extremely flat:
a total height
of just 70 mm

Linear drainage especially
close to the wall
(drain capacity 0.40 l/sec)

System construction

Fundo Plano® Linea



Scope of delivery

- 1 Fundo Plano Linea ▪ shower element with integrated drainage technology (linear drainage)
- 2 wedi Fundo channel cover ▪ Standard design, in this case with 900 mm length
- 3 Fundo Plano Linea sealing sheet ▪ for sealing the pipe connection

Required system components

- 4 wedi Fundo sealing set ▪ for sealing of the perimeter of Fundo shower elements when connecting to adjacent surfaces
- 5 wedi 320 ▪ for full-surface bonding of wedi Fundo shower elements to the substrate
- 6 wedi 610 ▪ adhesive and sealant for the watertight adhesion of joints
- 7 wedi Tools reinforcement tape ▪ for reinforcing joints

Optional system components

- 8 wedi building boards ▪ for constructing shower screens, partitions and waterproof cladding of adjoining areas
- 9 wedi edge insulation strips ▪ Sound insulation and insulation for the area between wedi Fundo shower elements and the wall
- 10 PE film ▪ Standard construction film as a protective layer between the sound insulation mat and mortar
- 11 wedi Nonstep Pro ▪ Sound insulation mats for impact noise insulation under wedi Fundo shower elements



Fundo Plano Linea,
square,
long channel

900 × 900 × 70 mm

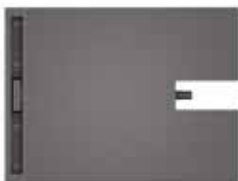
073736603



Fundo Plano Linea,
square,
short channel

900 × 900 × 70 mm

073736608



Fundo Plano Linea,
rectangular,
long channel

1.200 × 800 × 70 mm

073736600

1.200 × 900 × 70 mm

073736601

1.200 × 1.000 × 70 mm

073736602



Fundo Plano Linea,
rectangular,
short channel

1.200 × 900 × 70 mm

073736607

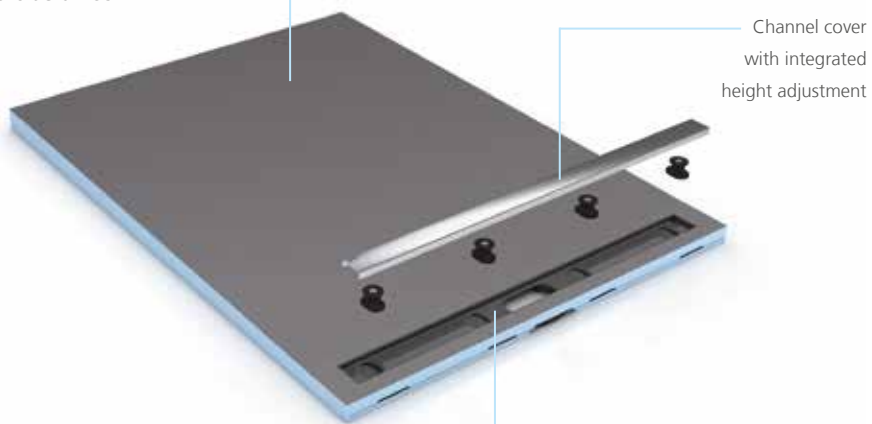


Fundo Riolito[®] neo

Close-to-wall linear drainage

The level-access Fundo Riolito neo features a linear drainage channel right next to the wall in various lengths from 300 mm to 1100 mm. The pre-defined even gradient enables an almost jointless installation of large format tiles with differing thickness (5 – 25 mm). Furthermore, it can easily be extended with the use of the corresponding Fundo sloping board or made into a complete shower area with the aid of wedi building boards.

Several configurations with
long and short channels



Channel cover
with integrated
height adjustment

Linear drainage
extremely close to the wall

System construction Fundo Riolito® neo



Scope of delivery

- 1 Fundo Riolito neo ▪ the flush to floor shower element with close-to-wall linear drainage

Required system components

- 2 wedi Fundo channel drain ▪ with horizontal DN 50 drain
- 3 wedi Fundo channel cover ▪ in this case with exclusive design, length 700 mm
- 4 wedi Fundo sealing set ▪ for sealing of the perimeter of Fundo shower elements when connecting to adjacent surfaces
- 5 wedi 320 ▪ for full-surface bonding of wedi Fundo shower elements to the substrate

Optional system components

- 6 Fundo Top ▪ ready-to-install surface for Fundo Riolito neo shower elements
- 7 wedi 610 ▪ adhesive and sealant for the watertight adhesion of the Fundo Top surfaces to the wedi Fundo shower element
- 8 wedi building boards ▪ for constructing shower screens, partitions and waterproof cladding of adjoining areas
- 9 wedi edge insulation strips ▪ Sound insulation and insulation for the area between wedi Fundo shower elements and the wall
- 10 PE film ▪ Standard construction film as a protective layer between the sound insulation mat and mortar
- 11 wedi Nonstep Pro ▪ Sound insulation mats for impact noise insulation under wedi Fundo shower elements



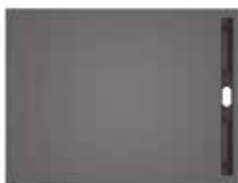
**Fundo Riolito neo,
square, close to the wall**

Channel length 800 mm	900 × 900 × 50 mm	075100003
	1.000 × 1.000 × 50 mm	075100032
Channel length 1.100 mm	1.200 × 1.200 × 50 mm	075100010



**Fundo Riolito neo,
square, close to the wall**

Channel length 300 mm	900 × 900 × 50 mm	075100031
-----------------------	-------------------	-----------



**Fundo Riolito neo,
rectangular, close to the wall**

Channel length 700 mm	1.200 × 800 × 50 mm	075100001
	1.400 × 900 × 50 mm	075100033
Channel length 800 mm	1.200 × 900 × 50 mm	075100004
	1.600 × 1.000 × 50 mm	075100034
	1.800 × 900 × 60 mm	075100005
Channel length 900 mm	1.200 × 1.000 × 50 mm	075100008



Fundo Riolito®

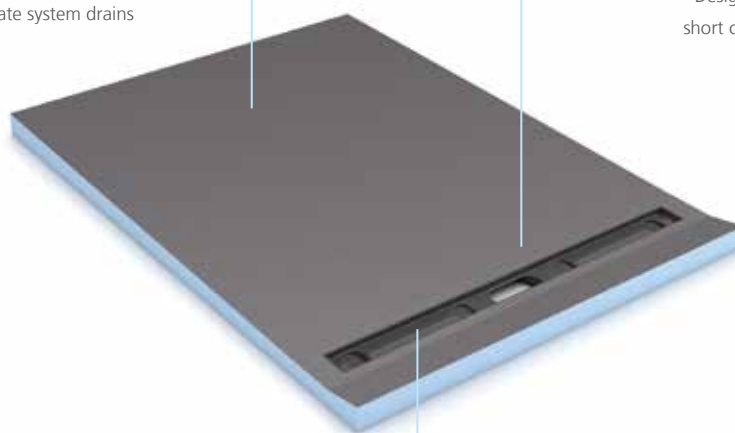
Premium linear drainage

As the oldest member of the Fundo family with linear drainage, the Fundo Riolito captivates with its simple elegance – featuring a near-to-wall linear drainage channel that is completed by a height-adjustable channel cover in either standard stainless steel, exclusive or tileable design. A pre-formed even slope is already integrated into the shower element during the manufacturing process.

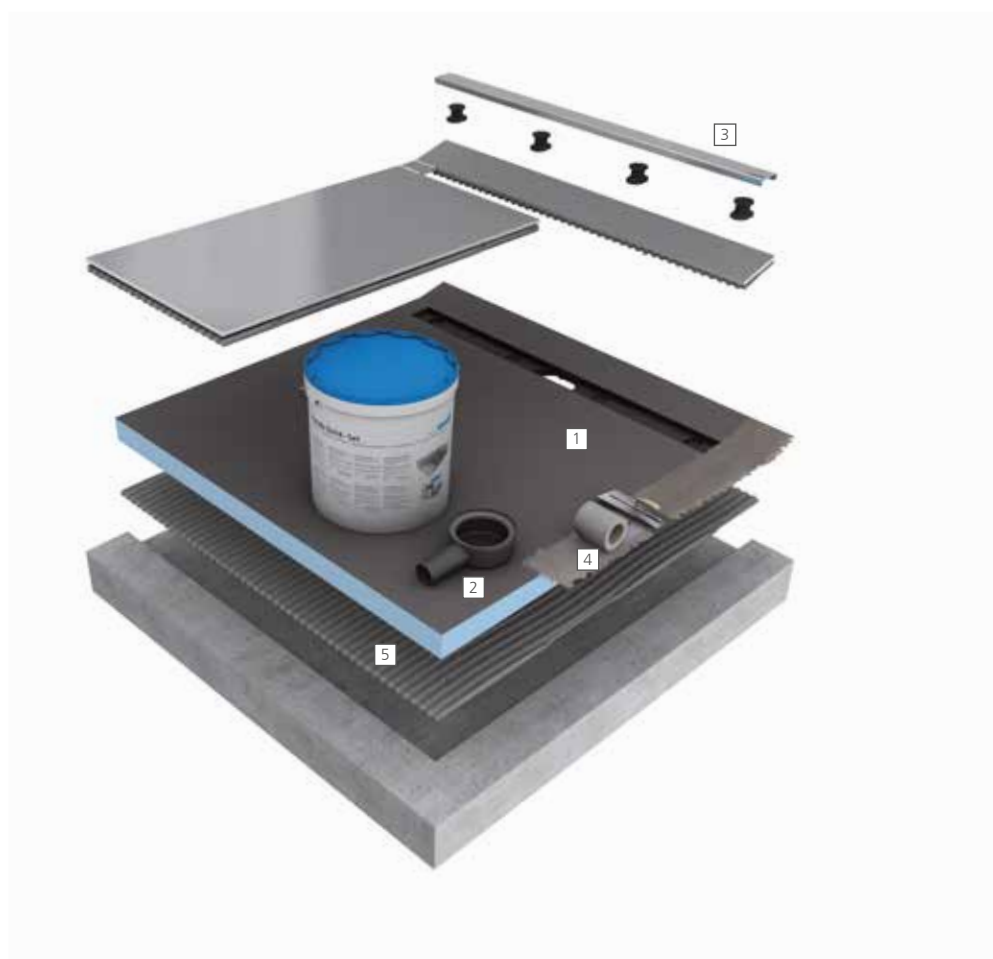
Comprehensive selection of appropriate system drains

Designs with long and short channels available

High system reliability thanks to factory-sealed channel



System construction Fundo Riolito®



Scope of delivery

- 1 [Fundo Riolito](#) ▪ the shower element with linear drainage

Required system components

- 2 [wedi Fundo channel drain](#) ▪ in this case with horizontal DN 40 drain extra flat
- 3 [wedi Fundo channel cover](#) ▪ in this case with exclusive design, length 700 mm
- 4 [wedi Fundo sealing set](#) ▪ for sealing of the perimeter of Fundo shower elements when connecting to adjacent surfaces
- 5 [wedi 320](#) ▪ for full-surface bonding of wedi Fundo shower elements to the substrate



**Fundo Riolito, square,
at a distance from the wall**

Channel length 800 mm	900 × 900 × 50 mm	073737303
	1.000 × 1.000 × 50 mm	073737308
Channel length 1.100 mm	1.200 × 1.200 × 50 mm	073737304



**Fundo Riolito, square,
at a distance from the wall**

Channel length 300 mm	900 × 900 × 50 mm	073737307
-----------------------	-------------------	-----------



**Fundo Riolito, rectangular,
at a distance from the wall**

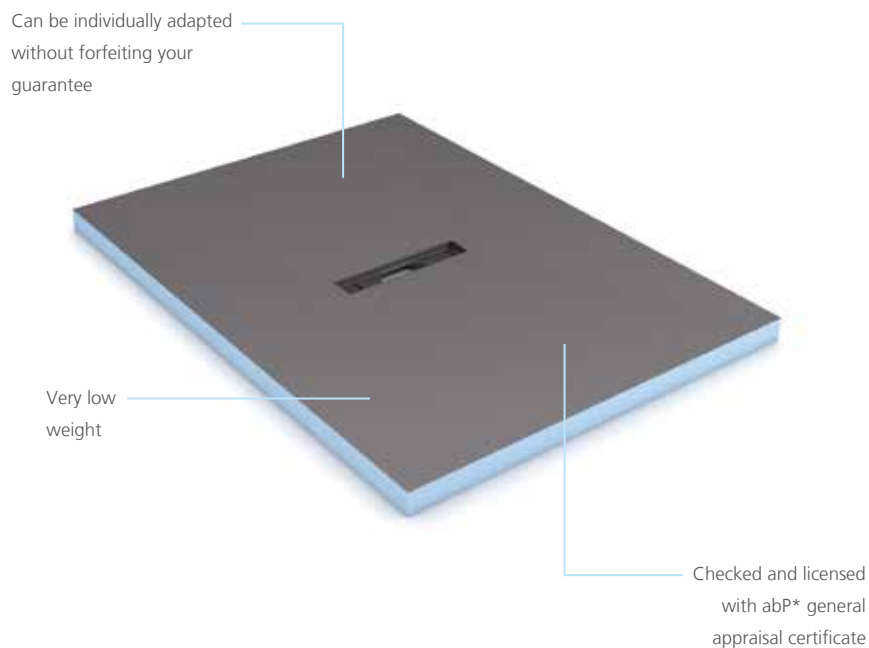
Channel length 700 mm	1.200 × 800 × 50 mm	073737301
	1.400 × 900 × 50 mm	073737309
Channel length 800 mm	1.200 × 900 × 50 mm	073737305
	1.600 × 1.000 × 50 mm	073737310
	1.800 × 900 × 60 mm	073737306
Channel length 900 mm	1.200 × 1.000 × 50 mm	073737302



Fundo Riofino®

Centralised linear drainage

A different kind of linear drainage – streamlined and centred. Although it does not offer various channel lengths, the Fundo Riofino shower element impresses with its extraordinary design and sophisticated finish. It's available with height-adjustable stainless steel channel covers in standard, exclusive or tileable design.



* abP (Allgemeines bauaufsichtliches Prüfzeugnis)
German General Building Inspection Certificate for tile
and board coverings, also in areas which bear heavy loads

System construction Fundo Riofino®



Scope of delivery

- 1 [Fundo Riofino](#) ▪ Shower element with central channel drain

Required system components

- 2 [wedi Fundo channel drain](#) ▪ in this case with horizontal DN 50 drain
- 3 [wedi Fundo channel cover](#) ▪ here with standard design, length 300 mm
- 4 [wedi Fundo sealing set](#) ▪ for sealing of the perimeter of Fundo shower elements when connecting to adjacent surfaces
- 5 [wedi 320](#) ▪ for full-surface bonding of wedi Fundo shower elements to the substrate



Fundo Riofino,
square,
central drain

900 × 900 × 50 mm
1.000 × 1.000 × 50 mm
1.200 × 1.200 × 50 mm

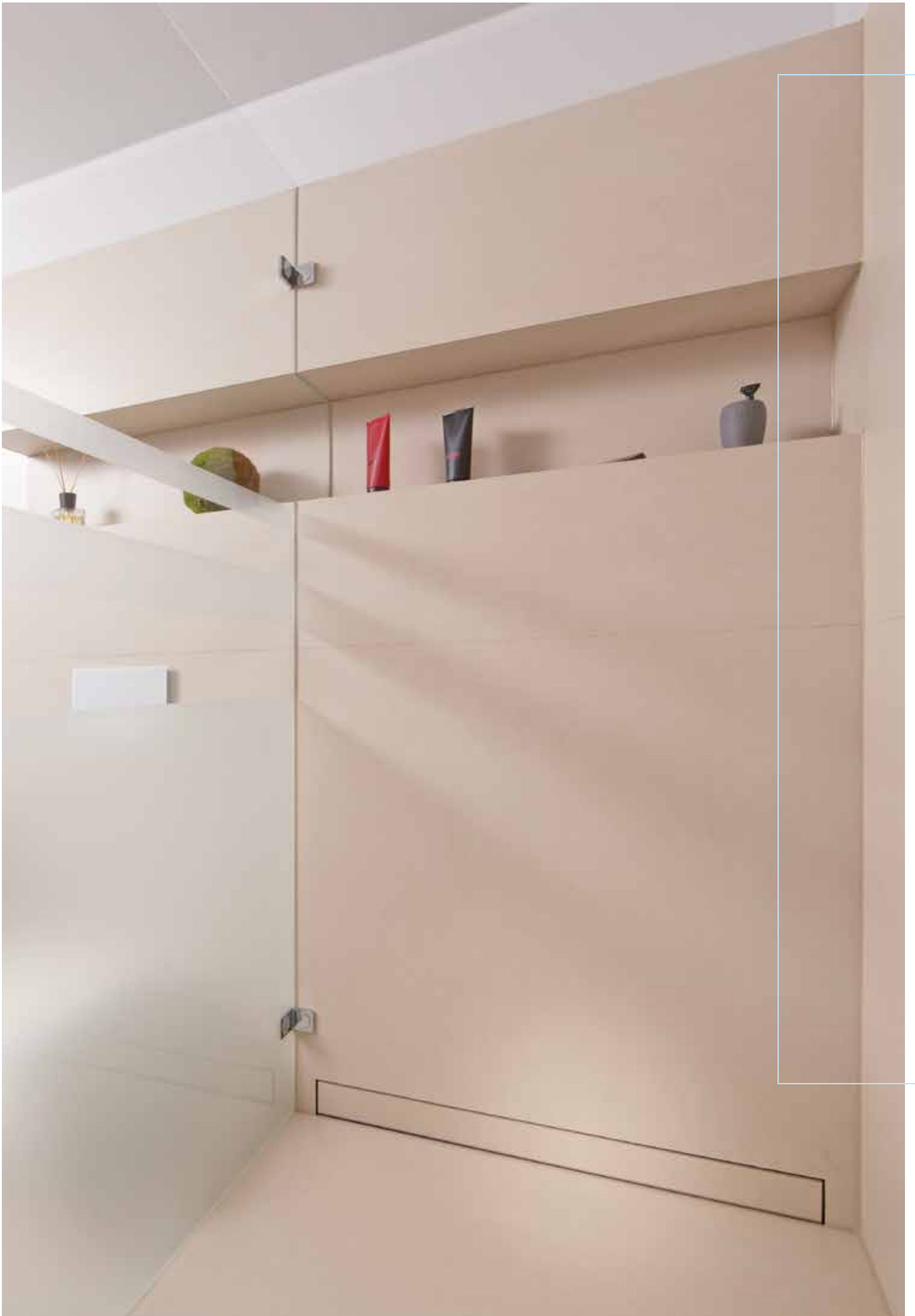
073737312
073737311
073737313



Fundo Riofino,
rectangular,
central drain

1.200 × 900 × 50 mm
1.800 × 900 × 50 mm

073737314
073737315



Fundo Discreto®

Optical wall drain

The new upgraded Fundo Discreto is an attachment element that allows the channel to disappear thus creates an optical illusion of the water draining away into the wall. Especially developed for the Fundo Riolito, Riolito neo and Plano Linea shower elements, it features a two-sided channel cover offering a stainless steel and a tileable option. Design possibilities are expanded by new additional formats offering channel lengths of 300 and 1100 mm and thanks to the new technical features, installation is easier than ever.



System construction Fundo Discreto[®]



Scope of delivery

- 1 [Fundo Discreto](#) ▪ optical wall drain

Required system components

- 2 [wedi linear shower system](#) ▪ wedi Fundo shower element with linear drainage, e.g. Fundo Riolito neo
- 3 [wedi 610](#) ▪ adhesive and sealant for the watertight adhesion of joints

Optional system components

- 4 [wedi building board](#) ▪ as free-standing partition wall and for the cladding of wall surfaces
- 5 [wedi Tools reinforcement tape, self-adhesive](#) ▪ for reinforcing joints



**Fundo Discreto, 300 mm
attachment element**

900 × 154 × 80 mm

073738205



**Fundo Discreto, 700 mm
attachment element**

900 × 154 × 80 mm

073738206



**Fundo Discreto, 800 mm
attachment element**

1.000 × 154 × 80 mm

073738207



**Fundo Discreto, 900 mm
attachment element**

1.000 × 154 × 80 mm

073738208



**Fundo Discreto, 1.100 mm
attachment element**

1.200 × 154 × 80 mm

073738209

wedi Fundo® channel drains

Linear drainage – wedi Fundo channel drains are suited to all wedi shower elements with linear drainage. These drains swivel through 360 degrees to allow flexibility when connecting to existing pipework on site. Channel covers must be purchased separately due to variety of sizes and designs.



wedi Fundo® standard plus channel cover / wedi Fundo® channel frame

An easy-to-install and attractive frame solution which hides open tile edges and optimises the overall look of the wedi Fundo channels – the new wedi channel frame convinces with its simple yet clever design. Made from brushed stainless steel for easy maintenance and sophisticated finish, it offers a seamless height adjustment for tile thicknesses between 6 and 20 mm. This 100% wedi system component is available in five different sizes either individually or in a bundle with a matching standard wedi channel cover.

wedi Fundo standard
plus channel cover



wedi Fundo channel frame

High quality channel covers for linear drainage

A close-to-wall linear drainage system is an aesthetically pleasing, elegant alternative to conventional shower trays. The shower becomes a highlight as the drainage channel is enhanced with wedi channel covers which are available in standard, exclusive and tileable variants.



wedi Fundo channel cover standard



wedi Fundo channel cover tileable



wedi Fundo channel cover exclusive

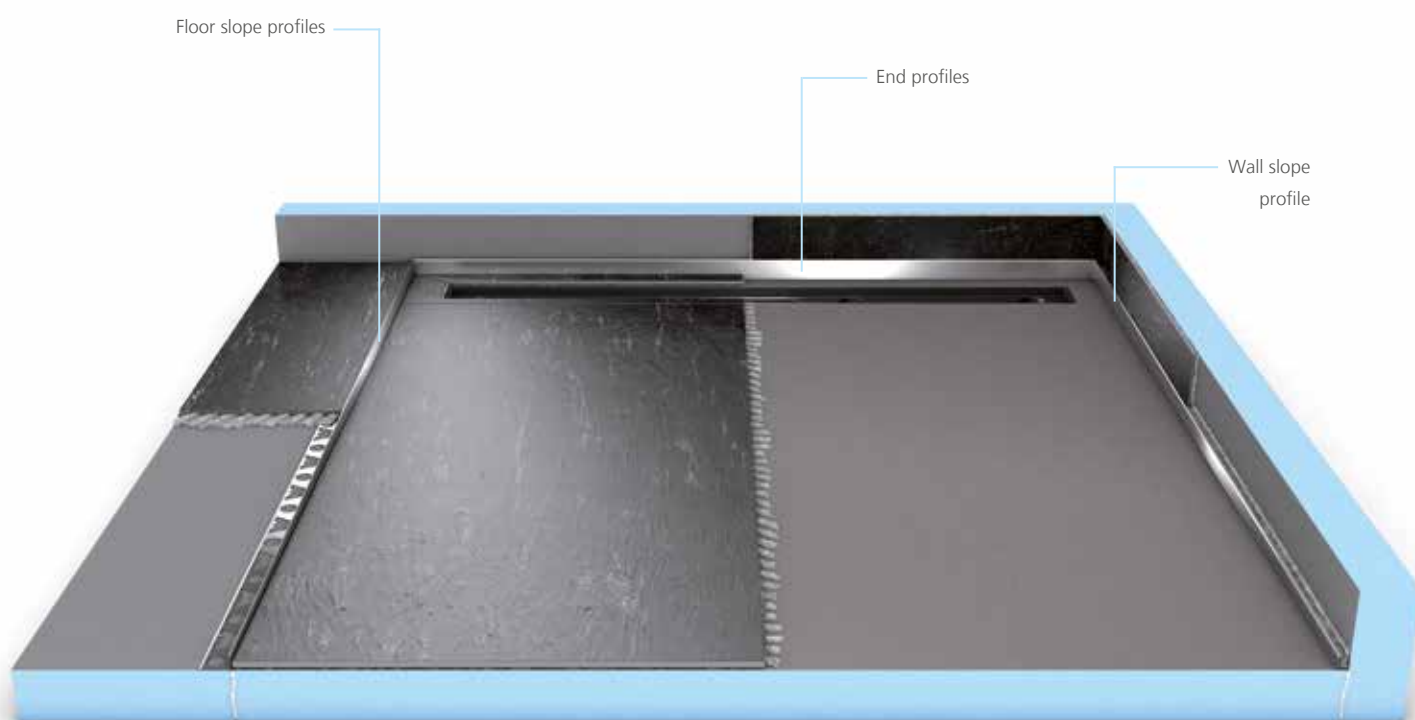


wedi Fundo standard plus channel cover / wedi Fundo channel frame

wedi Fundo® slope and end profiles for Fundo Riolito® neo, Plano® Linea / wedi Fundo® slope profiles for Fundo Riolito®

When installing flush to floor showers, it quickly becomes necessary to adapt the tiles to the gradient of the shower element. Thanks to the wedi slope and end profiles, costly chamfering and cutting of wall tiles is a thing of the past.

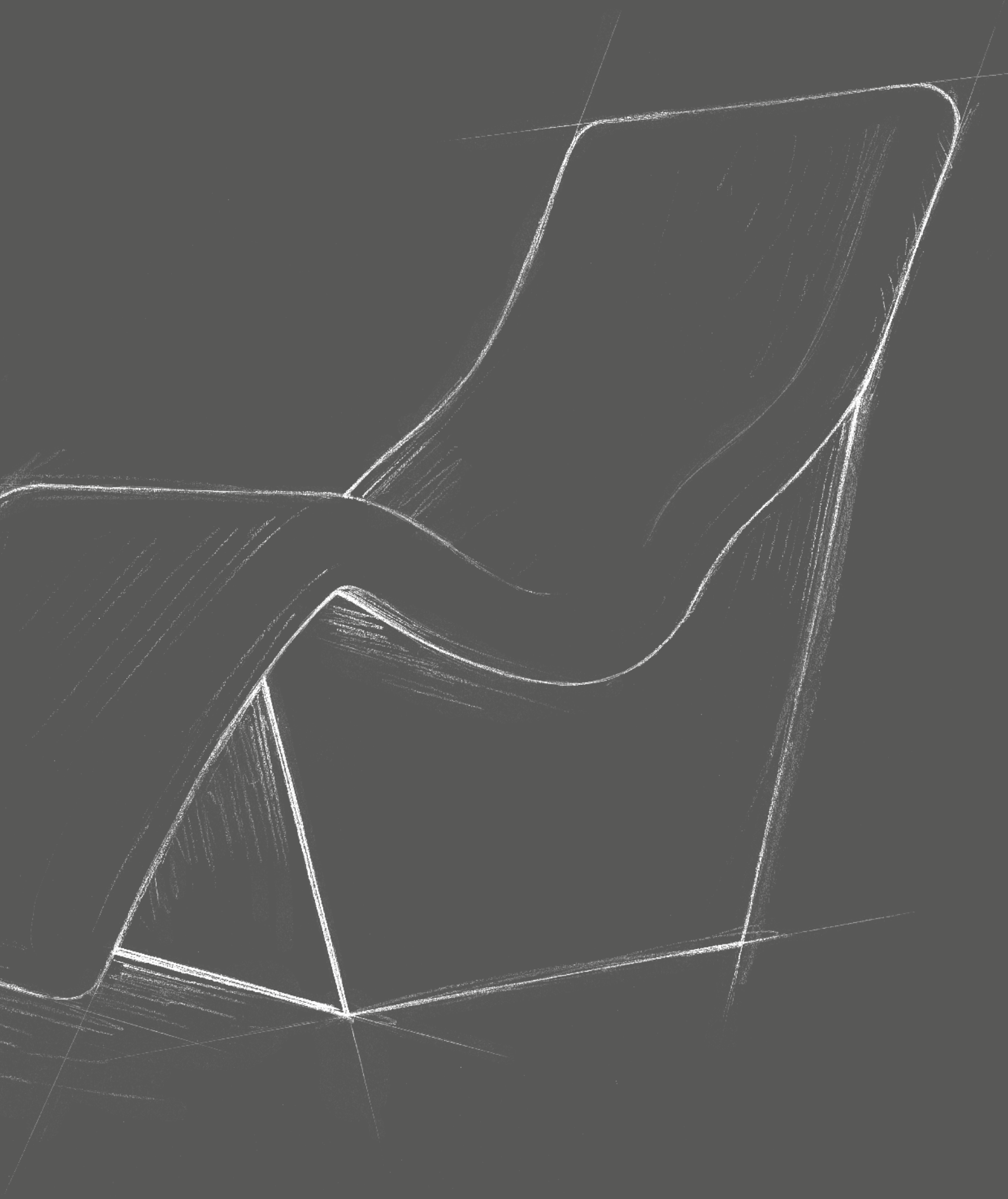
Especially designed for the Fundo Riolito, Fundo Riolito neo, and Fundo Plano Linea shower elements, wedi profiles are trimmable and allow for a perfect transition in all directions thus provide a high-quality connection to the adjoining floor/wall tiles. The profiles are available in both right and left versions as well as in different heights.





Design and shape

wedi designer elements in a wide variety of shapes – from benches and corner structures to loungers and neat end solutions – allow for stylish, modern bath and wellness facilities to be created simply and easily, ready for direct tiling. The new wedi Top surfaces offer a seamless alternative to traditional tiling – whether as full wall panels or as finished surface covers for Fundo shower elements – with their classic, contemporary design they impress with their simplicity.





The new Top range

Fundo Top® and wedi Top Wall

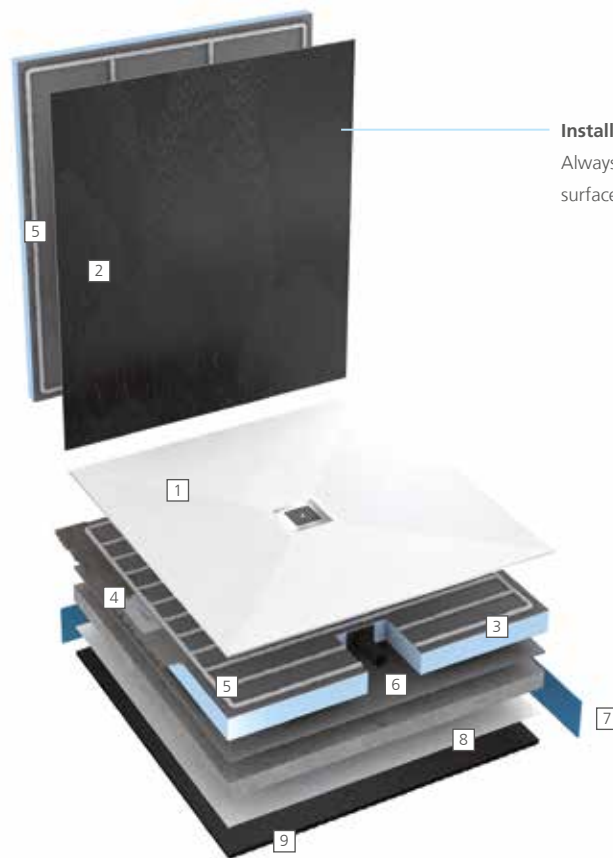
Ready-to-install elegant, seamless alternatives to traditional tiles that fit perfectly. The wedi Top series feature design surfaces for shower floors and for walls in the bathroom and shower. The Fundo Top range offer a perfect fit for several wedi Fundo shower elements in either point or linear design, whilst the classic natural stone look of wedi Top Wall elements allow for the creation of timeless, contemporary finish in bathrooms and wetrooms.

These surfaces create a seamless, thus not only attractive but hygienic and low maintenance finish. Different shades and textures allow for a wide range of variations thus individually tailored designs. A homogeneous white floor surface can be combined with anthracite or grey variants in a natural stone look on the walls for example. What's more, they are easy to cut to the required dimensions thus suitable for new builds and renovations as well.



System construction

Top range



Installation tip:

Always use wedi Top Wall surfaces in the same direction

Scope of delivery

- 1 **Fundo Top** ▪ ready-to-install surface, here for Fundo Plano shower elements
- 2 **wedi Top Wall** ▪ Ready-to-install surface for wall surfaces

Required system components

- 3 **Fundo Plano** ▪ extremely flat flush to shower element with integrated drain technology
- 4 **wedi Fundo sealing set** ▪ for sealing of the perimeter of Fundo shower elements when connecting to adjacent surfaces
- 5 **wedi 610** ▪ adhesive sealant for waterproof adhesion of the Top surfaces to wedi building boards and the wedi Fundo shower element
- 6 **wedi 320** ▪ for full-surface bonding of wedi Fundo shower elements to the substrate

Optional system components

- 7 **wedi edge insulation strips** ▪ Sound insulation and insulation for the area between wedi Fundo shower elements and the wall
- 8 **PE film** ▪ Standard construction film as a protective layer between the sound insulation mat and mortar
- 9 **wedi Nonstep Pro** ▪ Sound insulation mats for impact noise insulation under wedi Fundo shower elements



Fundo Top Primo,
square,
central drain

900 × 900 × 6 mm
1.200 × 1.200 × 6 mm



072010100
072010103



072010500
072010503



072010600
072010603



Fundo Top Primo,
rectangular,
central drain

1.200 × 900 × 6 mm
1.800 × 900 × 6 mm

072010101
072010104

072010502

072010602

rectangular,
offset drain

1.200 × 900 × 6 mm
1.400 × 900 × 6 mm
1.600 × 1.000 × 6 mm
1.800 × 900 × 6 mm

072010102
072010106
072010107
072010105

072010501
072010504
072010505
072010506

072010601
072010604
072010605
072010606



Fundo Top Riolito neo,
rectangular,
central drain

1.200 × 900 × 6 mm
1.600 × 1.000 × 6 mm
1.800 × 900 × 6 mm

072020100
072020101
072020102

072020500
072020501
072020502

072020600
072020601
072020602



Fundo Top Plano,
square,
central drain

900 × 900 × 6 mm

072030100

rectangular,
central drain

1.200 × 900 × 6 mm

072030101

rectangular,
offset drain

1.600 × 1.000 × 6 mm

072030102



Fundo Top
channel cover set

800 × 50 × 50 mm

072000100

072000500

072000600



Fundo Top
cladding

1.880 × 200 × 6 mm

072040100

072040500

072040600



wedi Top Wall

2.500 × 900 × 6 mm
2.500 × 1.200 × 6 mm

072042000
072042001

072042100
072042101



wedi Top Wall

The ready-to-install wedi Top Wall design surfaces offer a unique option of seamless thus attractive and low-maintenance wall cladding. They are made from a high-quality, coloured material with an aesthetically pleasing natural stone look and are available in anthracite black and grey. wedi Top Wall elements are a perfect medium for designing throughout the whole bathroom – they can easily be cut into desired shapes and colours can be arranged to achieve characteristic patterns in a blink of an eye.



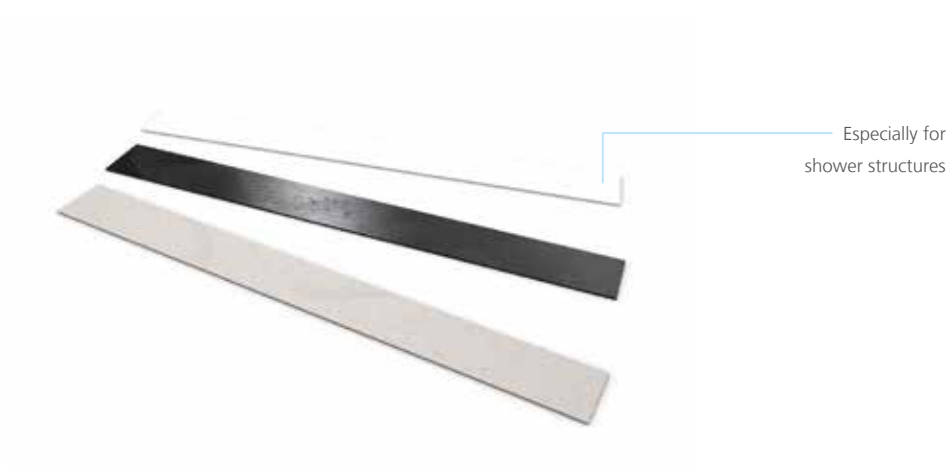
Fundo Top® channel cover set

To match the ready-to-install Fundo Top surface, there are various accessory products, such as the matching channel covers for wedi Fundo shower systems with linear drainage. These are available with a colour-matched Fundo Top inlay in the modern trend colours of grey, anthracite black, and white to create a harmonious, attractive shower area.



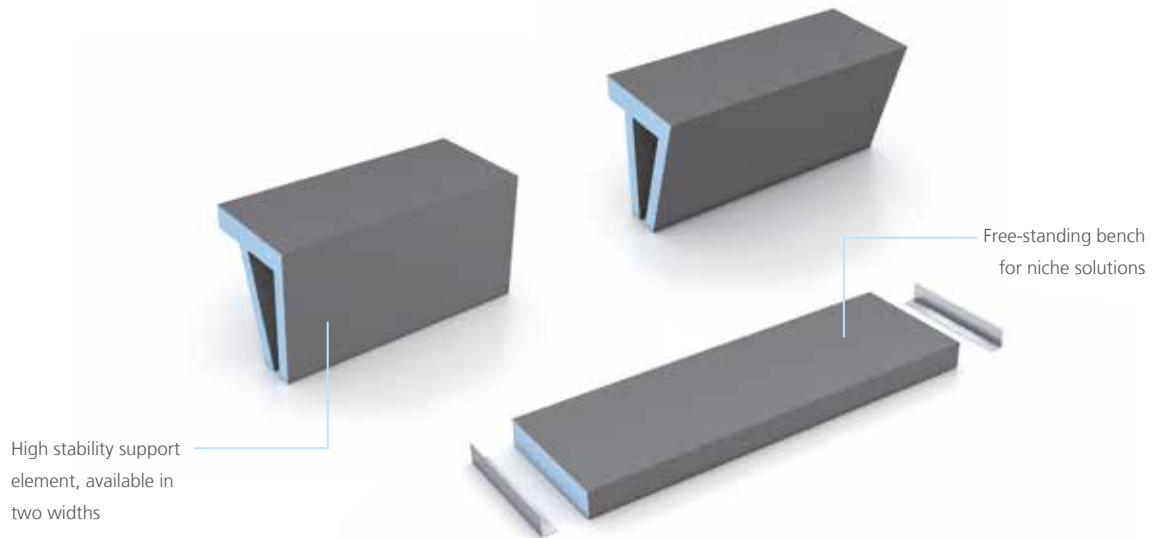
Fundo Top® cladding

The handy and colour-matched Fundo Top skirting boards are particularly suitable for the cladding of any visible edges e.g. in case of step-up showers thus complete the visually attractive, colour-coordinated look of a shower area.



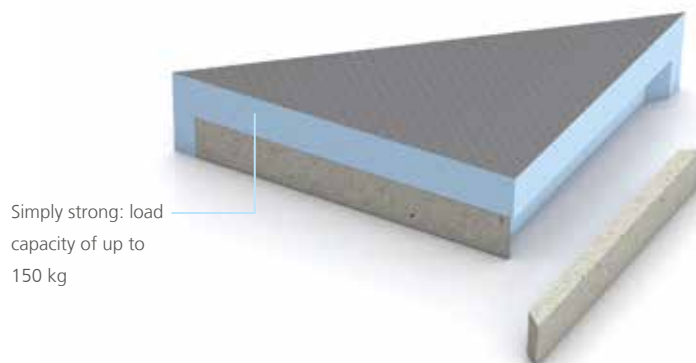
wedi Sanoasa® benches

wedi Sanoasa benches provide plenty of space to relax and pamper yourself in comfort. Whether with straight, angled or rounded seat edge or as a floating seat supported on 3 sides, their shapes and sizes can be modified to suit.



wedi Sanoasa® corner seat element

The free-floating corner seat element is available in two different sizes and thanks to its triangular, compact shape it is the perfect seating solution for small showers. Installation can be done both on the raw surface as well as later on the finished tiling.



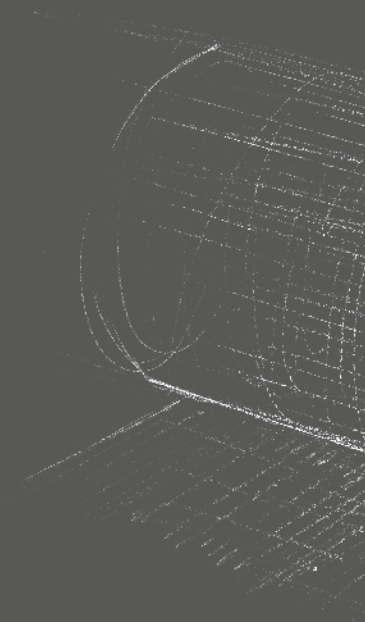
wedi Sanoasa® bench elements

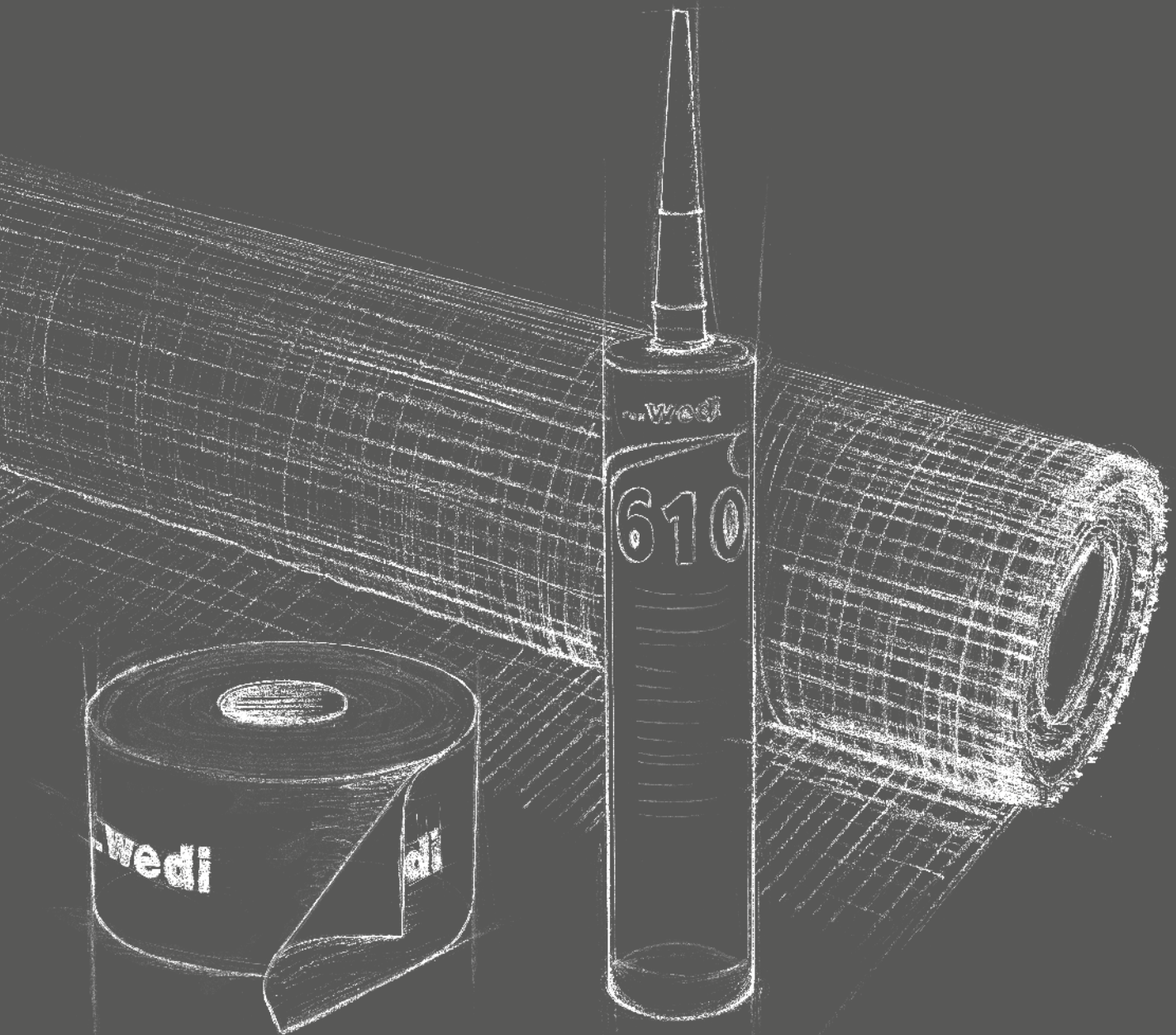
The Sanoasa benches in the Comoda and Bellina ranges are available in so many different designs that they enable the construction of almost any seating combination. Whether it be straight, round or corner structures or neat end solutions, in a bathroom, leisure or wellness facility – they provide a highlight that can be enhanced further by individual accent tiling.



System accessories

Safety in the system: from special adhesives and medium-bed mortar through mechanical fixings to sealing solutions – wedi accessories are perfectly coordinated with each other thus guarantee a secure, straightforward installation and complete watertightness in the entire system.





wedi 320 tile adhesive

The universal wedi 320 thin-bed mortar based on a hydraulic binding agent is ideal for fixing and laying wedi building boards as well as wall and floor tiles in interior areas. It is waterproof and frost-resistant.



wedi 610® adhesive sealant

As a versatile one-component adhesive sealant, wedi 610 is ideal for the simple, secure and waterproof joint connections between wedi components in just one easy step. The combination of wedi building boards and wedi 610 has a general building authority test certificate for highly stressed areas.



wedi 520 flexible sealants

The flexible and 2-component wedi 520 sealant is suitable for indoor and outdoor applications. It bridges cracks and guarantees the highest degree of safety should any surface cracks subsequently develop. Especially developed for flexible joint sealing of wedi sealing and decoupling membranes and for the sealing of joints in conjunction with wedi Tools sealing tape e.g. where wedi products meet non-wedi surfaces. Suitable for full surface sealing in all wedi sealing systems.



wedi Fundo® sealing set

The wedi Fundo sealing set consists of wedi 520 sealant, wedi Tools sealing tape and wedi Tools sealing corners and is especially developed for the waterproof connection of Fundo shower elements to other materials outside of the system, e.g. floor screed or plasterboard.

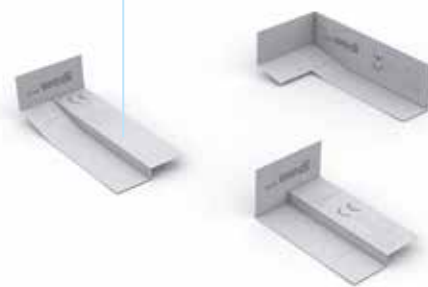
Especially for wedi Fundo shower elements



wedi Tools slope sealing

The three-dimensional sealing corners made from TPE-coated polypropylene fleece are ideal for sealing the joints between the wall and floor and are designed with the different slope gradients of the Fundo Riolito and Riolito neo shower elements in mind.

Sealing details for linear drainage



wedi Tools reinforcement tape

The self-adhesive wedi Tools reinforcement tape is a special fabric tape for fixing or bridging of building board joint edges.

Self-adhesive version available



wedi Tools sealing tape and corners

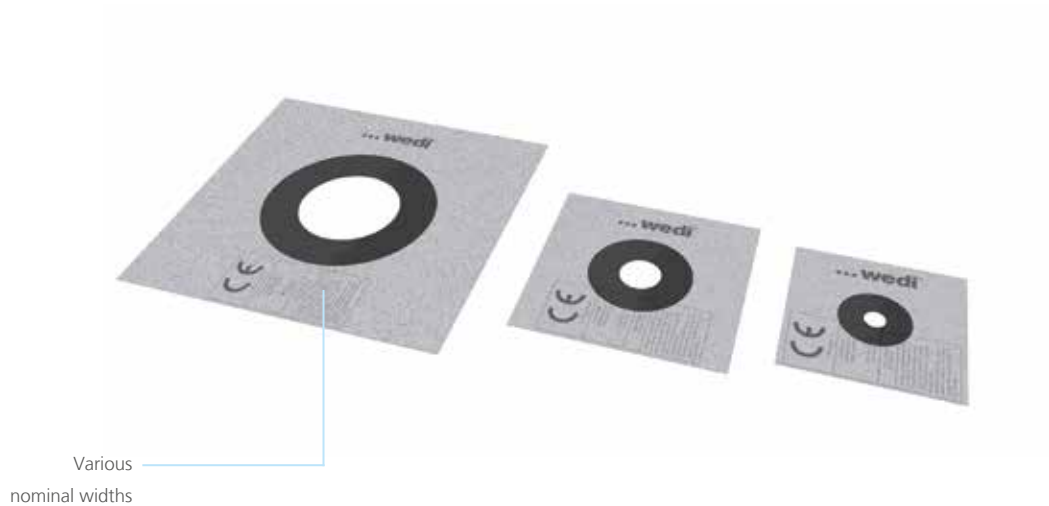
wedi Tools sealing tape and sealing corners are suitable for the secure sealing of intersections such as corners, pipe connections and butt joints. They are made from TPE-coated polypropylene fleece and have very good adhesion properties.

For corner, connecting and butt joints



wedi Tools sealing gaiters

The flexible and fleece laminated wedi sealing gaiters are suitable for the sealing of all pipes under ceramic flooring in shower and wet rooms. Available in nominal diameters of ½ to ¾ inches, DN 40 – 75 and DN 90 – 125, they always offer a reliable sealing solution for ducts in a variety of sizes.



wedi Tools butyl bathtub sealing tape

The fleece laminated wedi Tools tub sealing tape consists of a TPE-coated polypropylene fleece equipped with butyl strips. It has good adhesion properties and is suitable for secure sealing of tubs and shower trays made from steel enamel, acrylic or similar materials. It is optionally available in a set with the self-adhesive decoupling strip which creates tension compensation between the tub and the adjoining wall.



wedi Subliner® Dry & Flex

The flexible, crack-bridging wedi Subliner Dry & Flex sealing and decoupling membrane is made from a highly tear-resistant polyethylene film and is suitable for fast sealing for projects with fixed completion dates in conjunction with ceramic tiles and slabs, as well as with natural stone cladding for walls and floors in indoor and outdoor areas. The special membrane provides improved tension compensation when sudden temperature changes occur. It is tested and approved for areas of use up to W2-I.



wedi Subliner® Dry

wedi Subliner Dry is a thin-layered, crack-bridging sealing membrane made from highly tear-resistant polyethylene film which, thanks to its special layer of fleeced material on both sides, provides the optimum anchorage for tile-laying materials. Perfect for combining with the wedi system components, e.g. wedi Tools sealing tape and wedi 520. Tested and approved for areas of use up to W2-I.



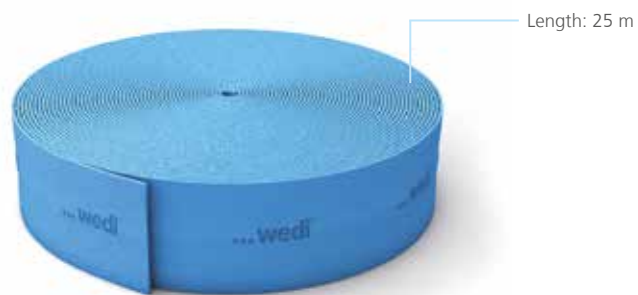
wedi Subliner® Flex

The wedi Subliner Flex crack-bridging decoupling membrane for wall and floor surfaces in indoor areas is made from a robust reinforcement fabric with a special fleece layer on each side that ensures excellent adhesion of tile setting compounds.



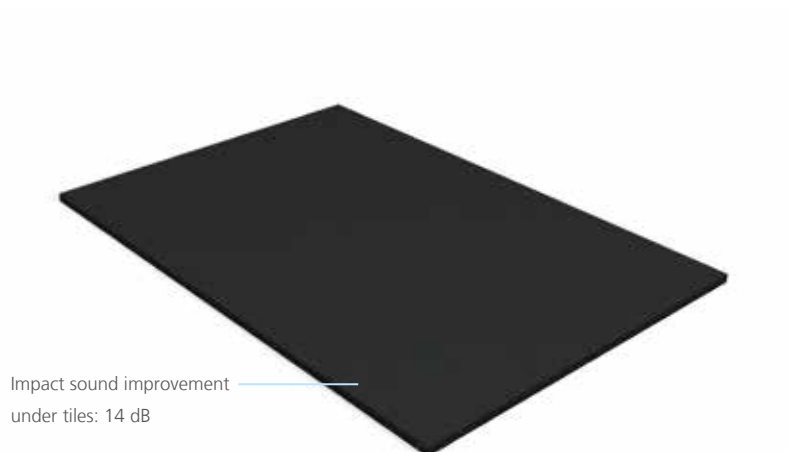
wedi Tools edge insulation strips

The wedi Tools edge insulation strip prevents the transfer of noise between the wedi Fundo shower element and adjacent areas such as wall, floor or screed etc. thus it is an indispensable complement to the wedi Nonstep Pro sound-insulation mat.



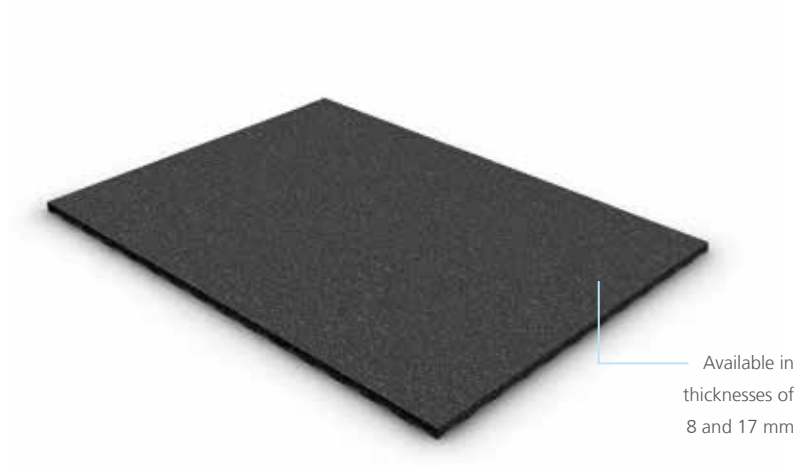
wedi Nonstep Plan

wedi Nonstep Plan impact sound deadening is a thin-layered rubber granulate mat with a flexible, mineral coating which can be used for decoupling under ceramic floor coverings, laminate or ready-to-lay parquet.



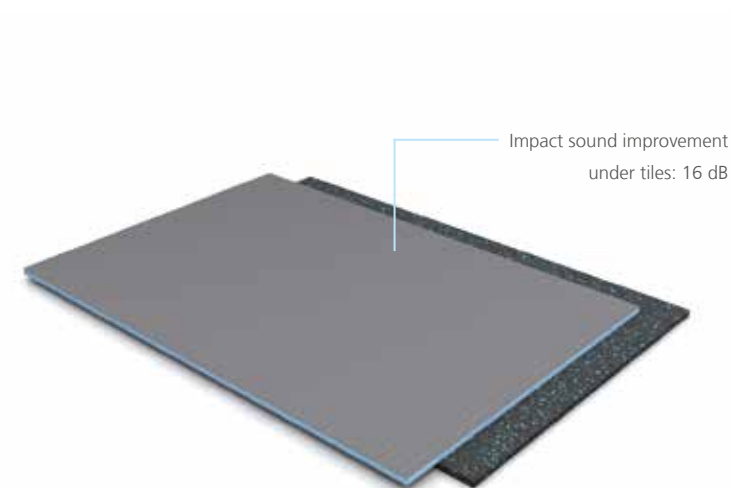
wedi Nonstep Pro

The wedi Nonstep Pro is the ideal product for sound insulation of both the water impact and the footstep noise and perfectly suited for installation under wedi Fundo floor elements. It does not only comply with the minimum requirements but has also been successfully tested for compliance with increased sound insulation requirements.



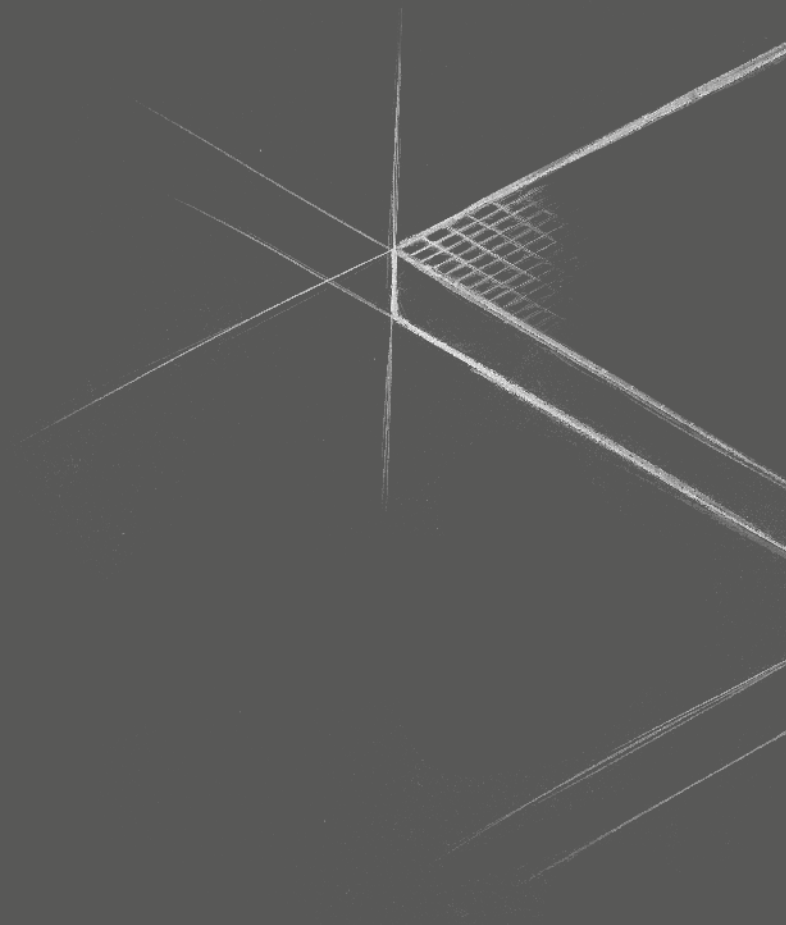
wedi Nonstep Plus

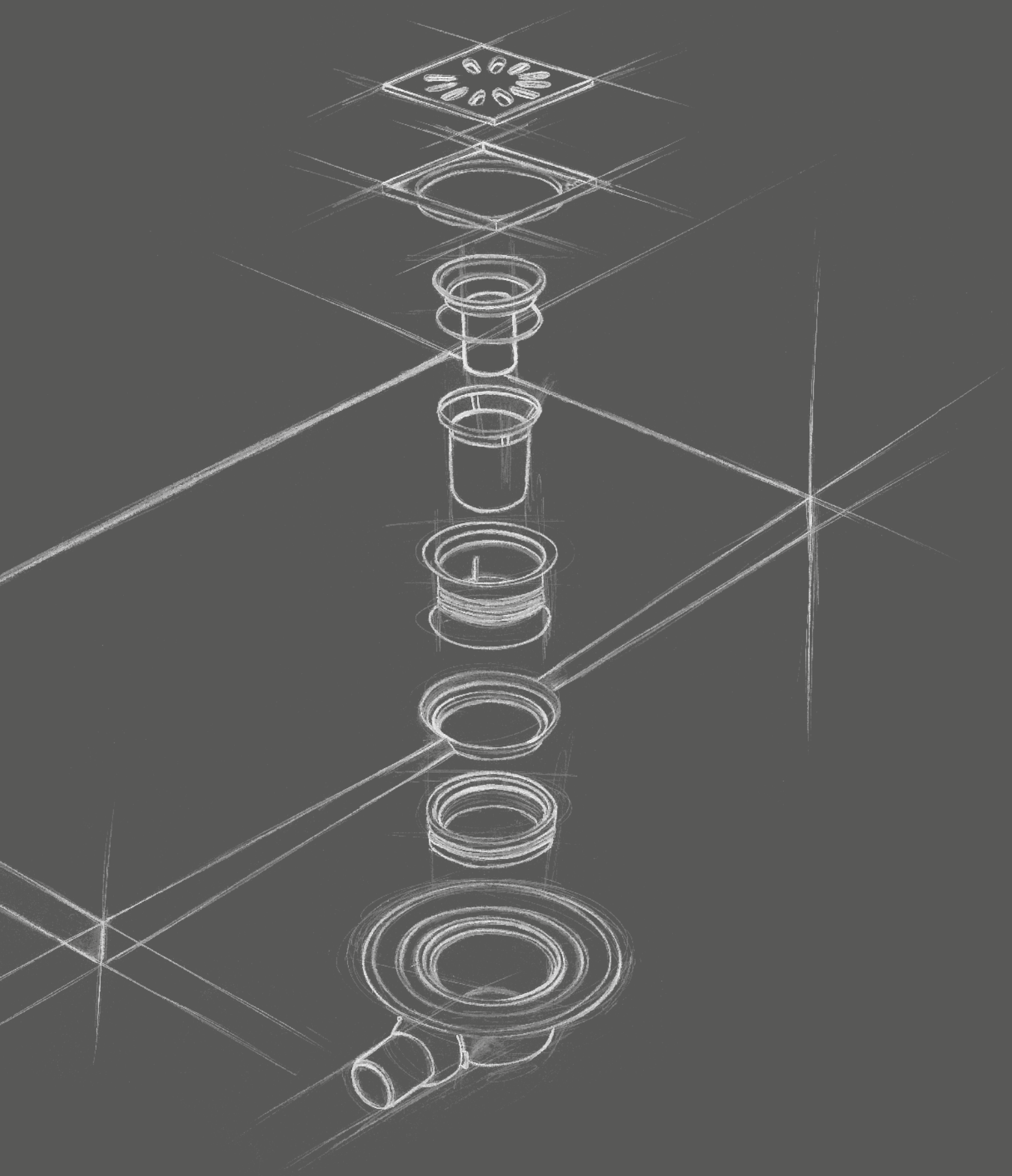
wedi Nonstep Plus impact sound deadening consists of a 6 mm wedi building board bonded in the factory to a 5 mm rubber mat, creating an overlap. The impact sound deadening board is used for decoupling under ceramic flooring, laminate or ready-to-lay parquet.



System technology

Functionality and safety play important roles in the case of all wedi substructures. This is the very reason why tradesmen have been putting their faith in the unique quality of the modular wedi systems for decades. They are thermally insulating, offer a variety of uses, allow for extension and are both light and stable as well as 100 % watertight.

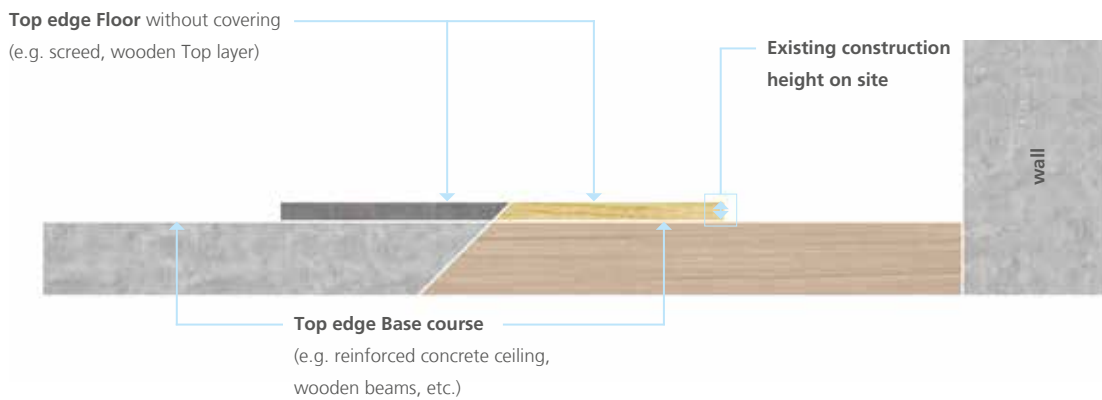




Which heights are relevant for your planning?

As a supplier of systems that are installed on the floors of existing buildings, we like to advertise with the lowest possible height or thickness, as every millimetre counts. This is because there is usually only limited space available for the installation and assembly of such systems. Some of the information found in this context from other suppliers, however, may be misleading and can lead to misinterpretations and nasty surprises on the construction site.

wedi would therefore only like to point out the information you need for the safe planning and execution of your construction project.



Information on the selection of the suitable Fundo system:

- Height/thickness of Fundo shower element (see wedi values in table below)
- Height of the drain (see wedi values in table below)

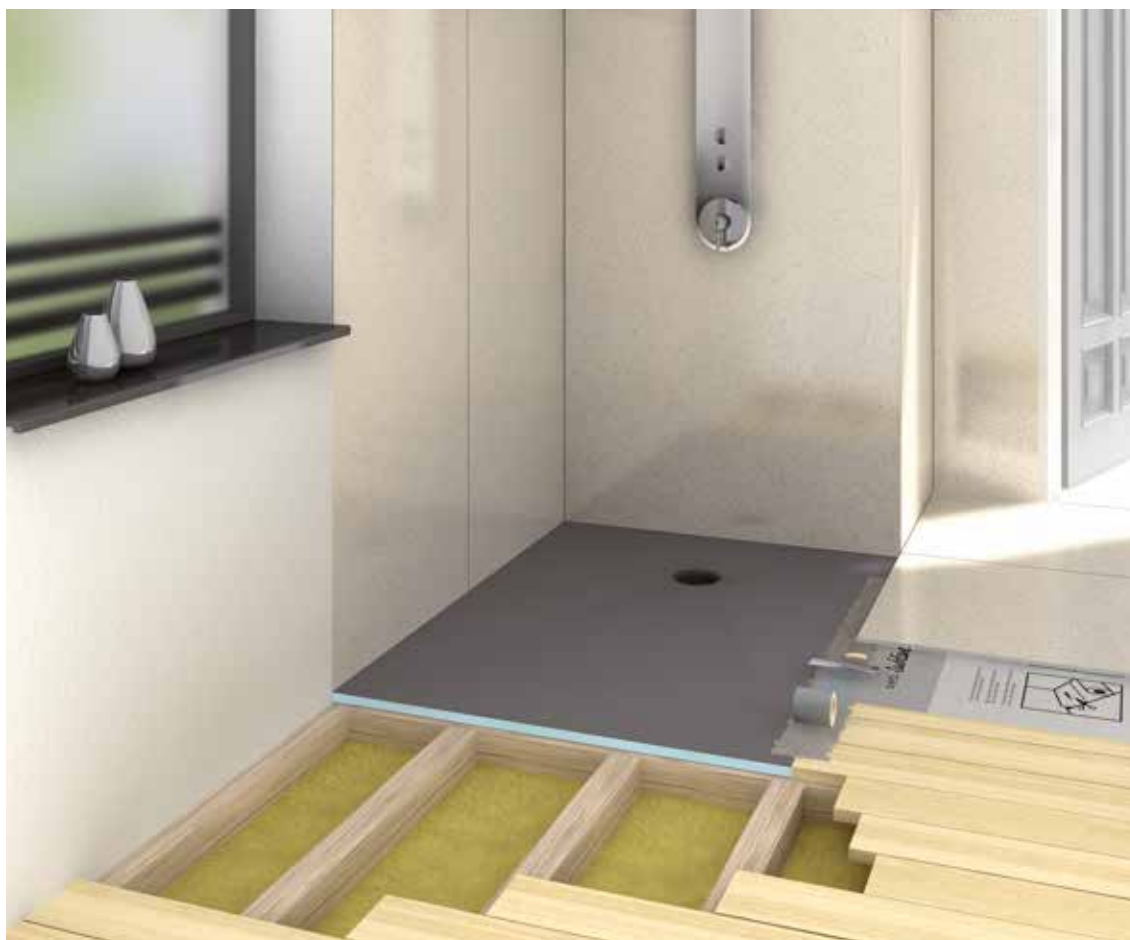
Flush-to-floor shower element	Height of the shower element	Suitable drains	Height of drain body
Fundo Ligno	41 mm	wedi Fundo point drain, horizontal, DN 50	85 mm
		wedi Fundo point drain, vertical, DN 50	142 mm
		wedi Fundo point drain Mini Max, DN 40	57 mm
		wedi Fundo point drain, vertical, DN 70	142 mm
Fundo Primo	40 mm	wedi Fundo point drain, horizontal, DN 50	85 mm
		wedi Fundo point drain, vertical, DN 50	142 mm
		wedi Fundo point drain Mini Max, DN 40	57 mm
		wedi Fundo point drain, vertical, DN 70	142 mm
Fundo Riolito, Riolito neo, Riofino	50 mm	wedi Fundo channel drain, horizontal, DN 50	80 mm
		wedi Fundo channel drain, vertical, DN 50	131 mm
		wedi Fundo channel drain Mini Max, DN 40	49 mm
Fundo Integro	90 mm	Drain is already integrated	–
Fundo Plano	65 mm	Drain is already integrated	–
Fundo Plano Linea	70 mm	Drain is already integrated	–

Assembly examples

In the following overview you will find examples of how the final construction heights can be determined. In addition to the information listed above, it is essential that adhesive and insulation layers are planned and dimensioned. As these may vary depending on the structural situation, the values used here are intended for your orientation only. In the concrete building project these are to be planned and considered then individually.

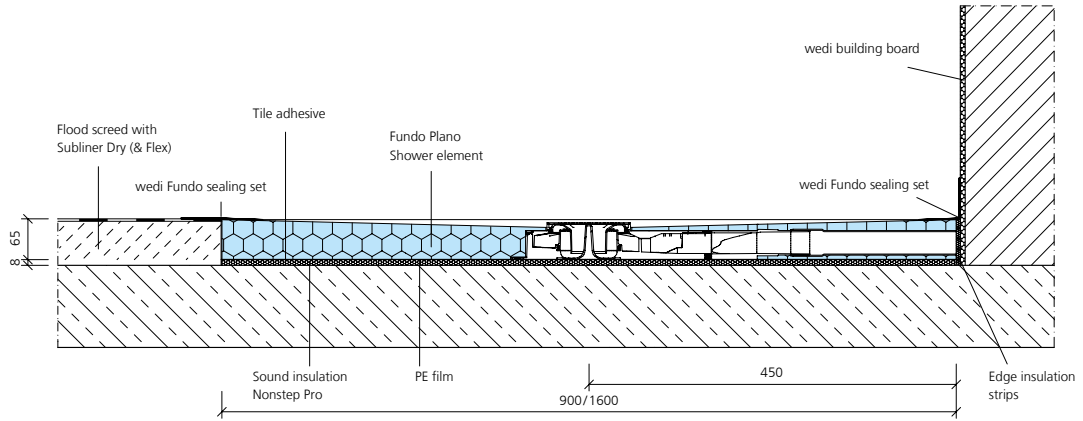
Combination/ Installation	Fundo Primo with point drain horizontal, DN 50	Fundo Riolito with channel drain Mini Max, DN 40	Fundo Ligno with point drain vertical, DN 50
Fundo	40 mm	50 mm	41 mm
Tile adhesive	3 mm	3 mm	3 mm
Drain	85 mm	49 mm	142 mm
Sound insulation	17 mm	8 mm	–
wedi construction height	145 mm	110 mm	23 mm

This representation is intended to be simple. Of course, other structural conditions additionally have an influence on the construction height, such as the connection situation and position of an existing drain pipe. This has to be determined exactly and the pipe course has to be planned with a corresponding gradient in height.

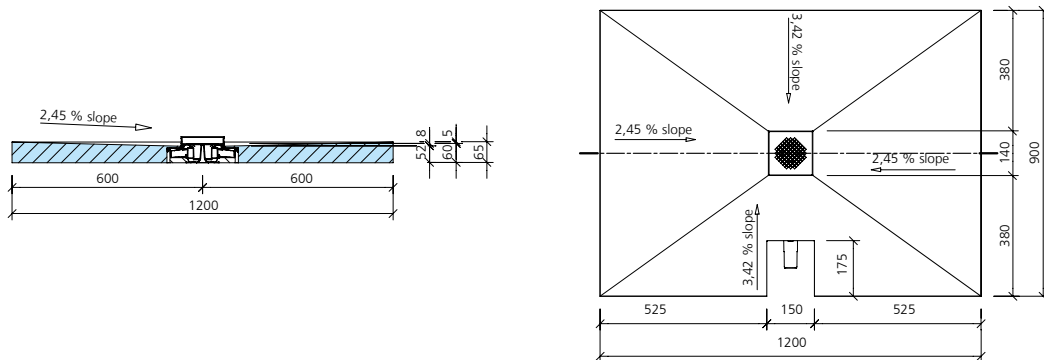


Complete system ■ Fundo Plano®

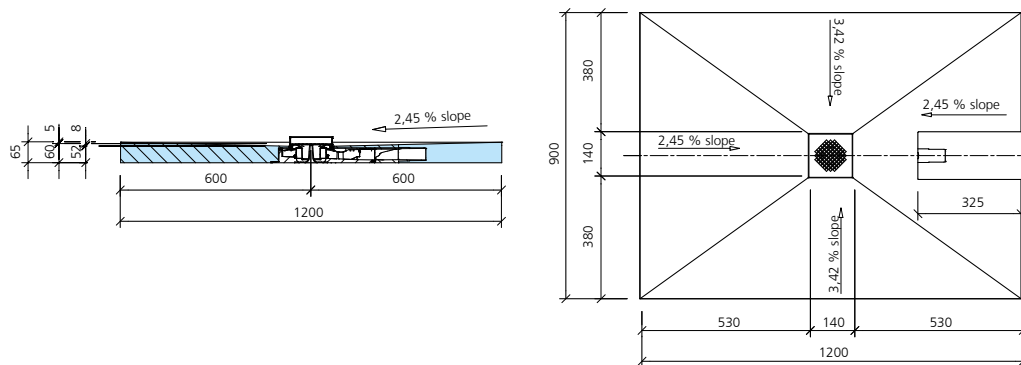
Fundo Plano, integrated point drain horizontal, DN 40, screed floor



Fundo Plano, complete system A, connection on the long side

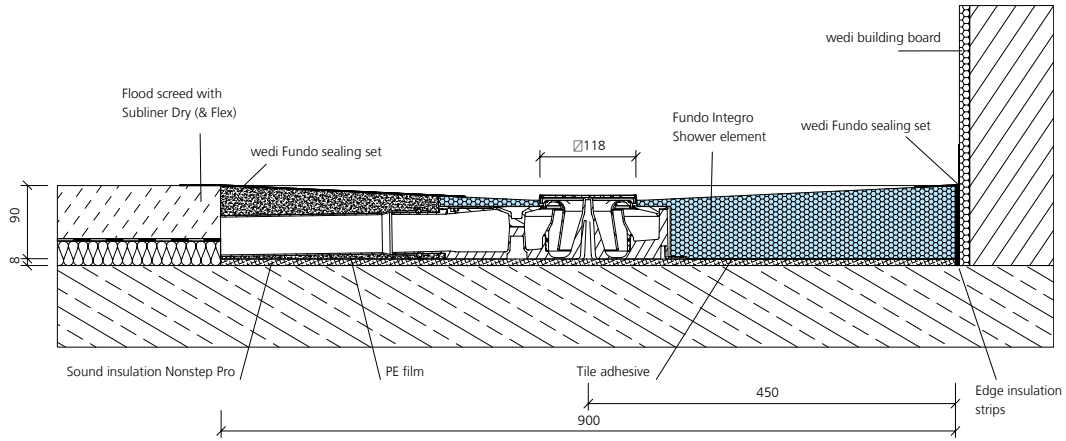


Fundo Plano, complete system B, connection on the short side

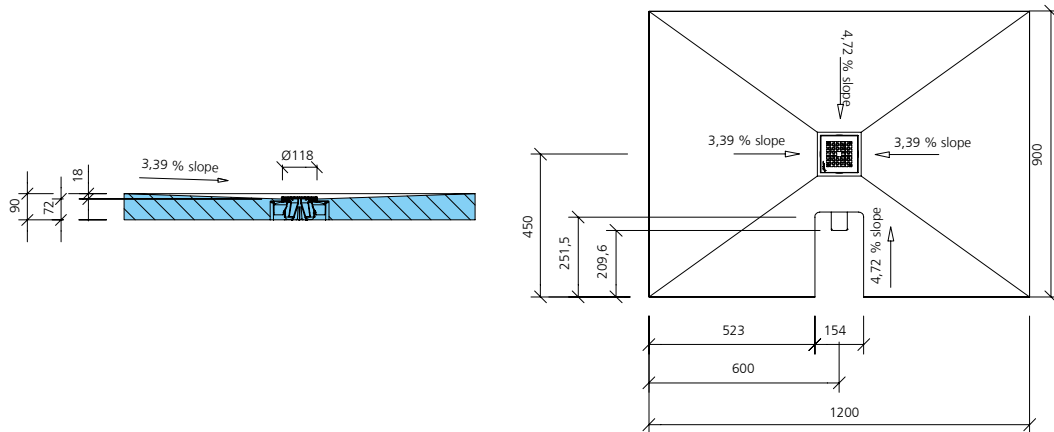


Complete system ■ Fundo Integro®

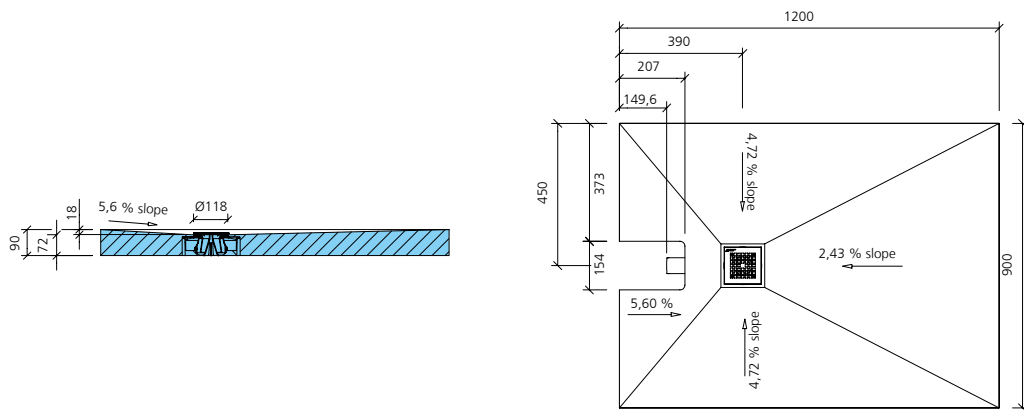
Fundo Integro, integrated point drain horizontal, DN 50, screed floor



Fundo Integro, complete system A, connection on the long side

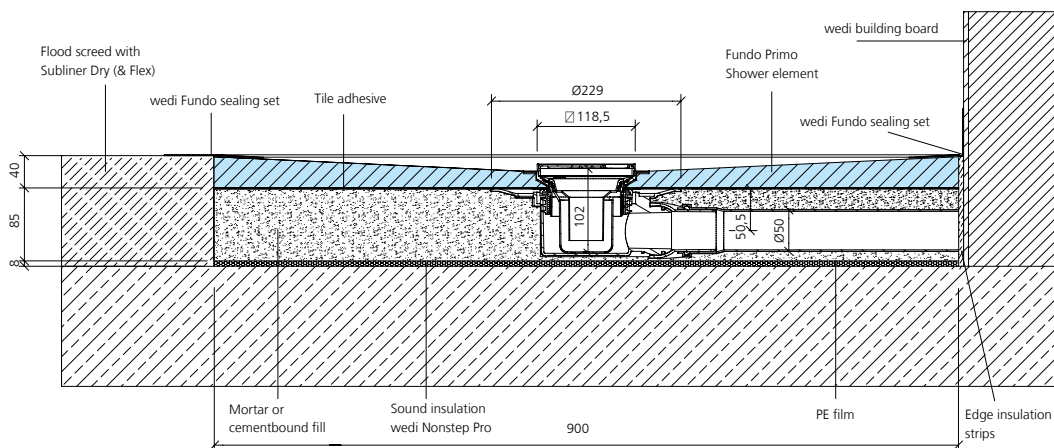


Fundo Integro, complete system B, connection on the short side

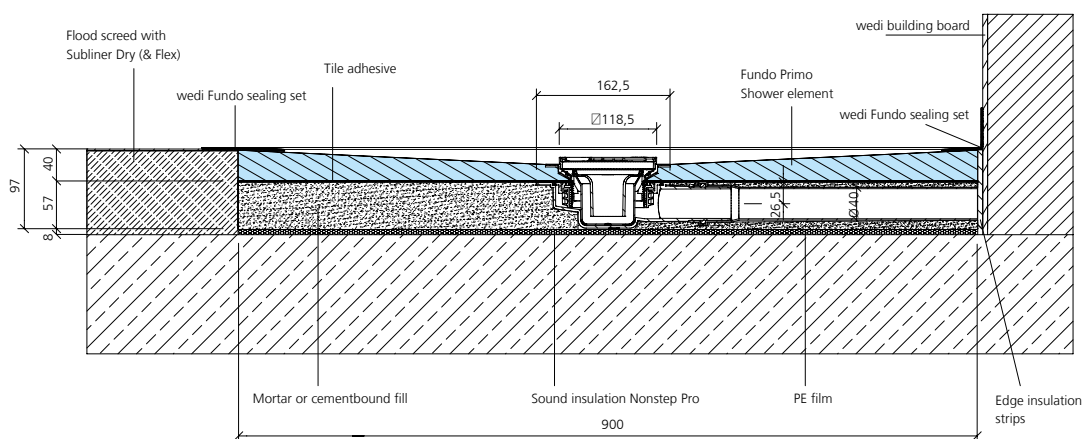


Classic system ■ Fundo Primo® /Nautilo® /Trollo® /Borgo®

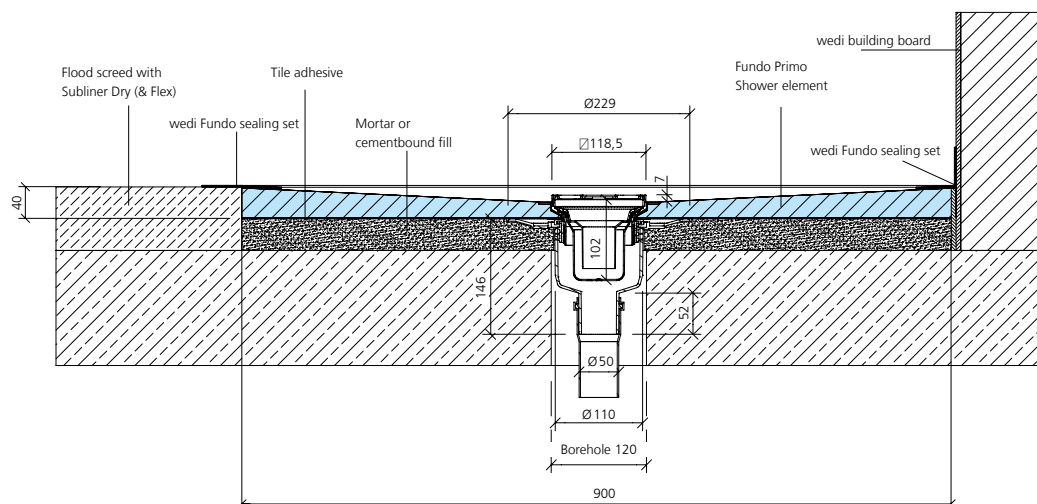
wedi Fundo point drain horizontal, DN 50, screed floor



wedi Fundo point drain Mini Max, DN 40, screed floor



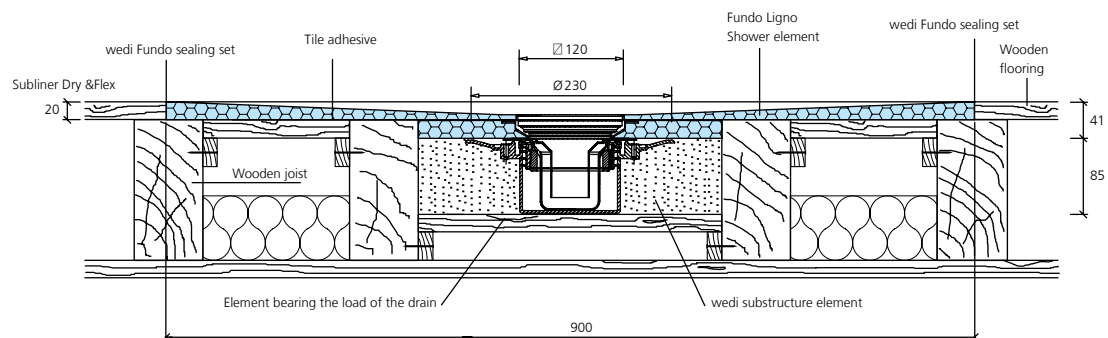
wedi Fundo point drain vertical, DN 50, screed floor



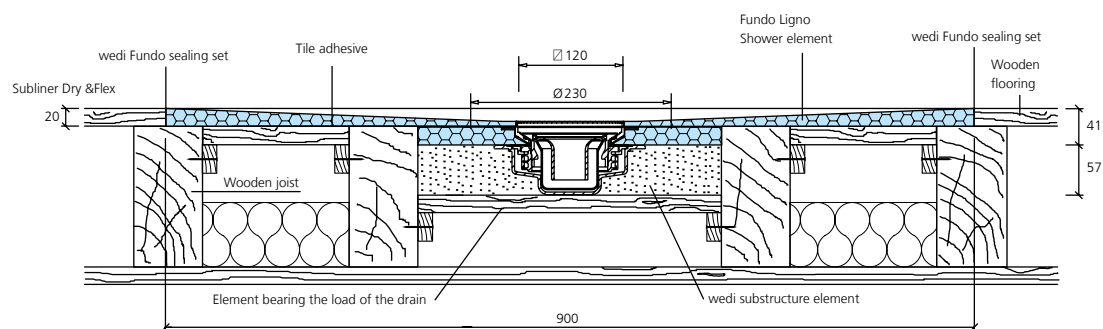
i The shower element Fundo Nautilo has a thickness of 50 mm.

Classic system ■ Fundo Ligno®

wedi Fundo point drain horizontal, DN 50, in timber floor

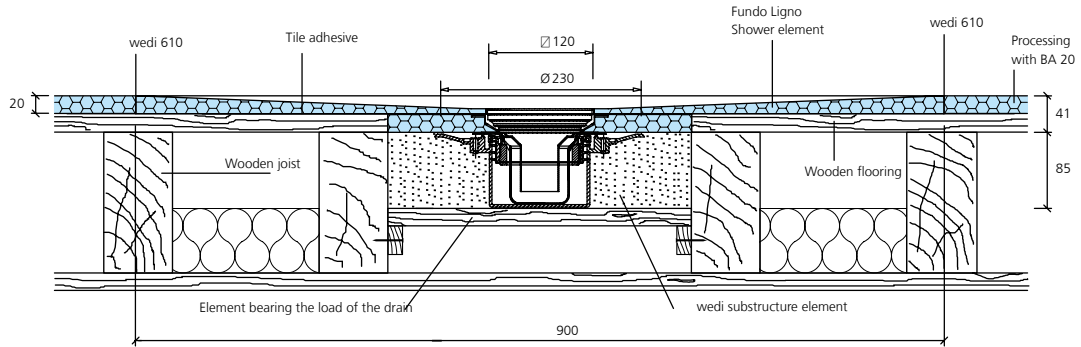


wedi Fundo point drain Mini Max, DN 40, in timber floor

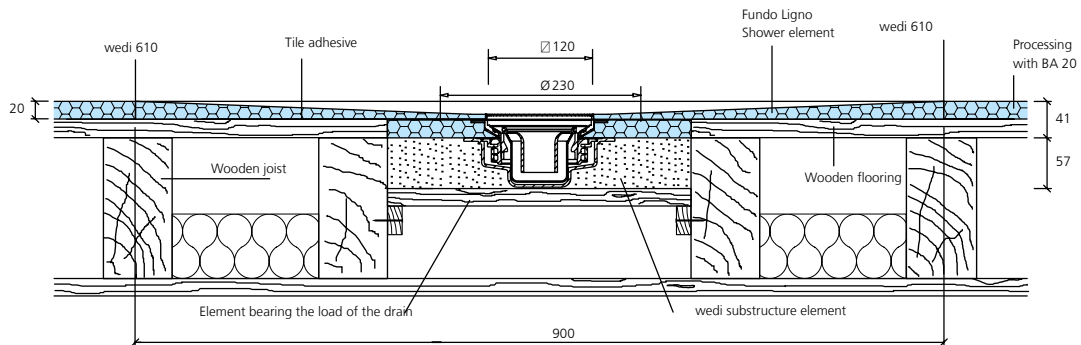


Classic system ■ Fundo Ligno®

wedi Fundo point drain horizontal, DN 50, on timber floor

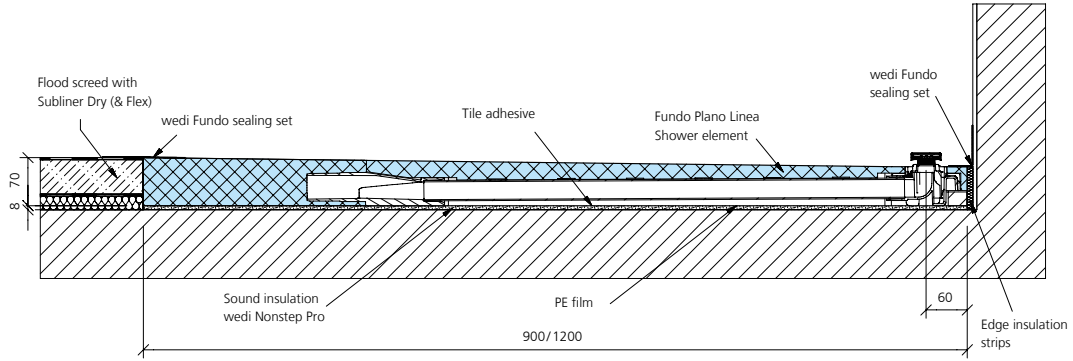


wedi Fundo point drain Mini Max, DN 40, on timber floor

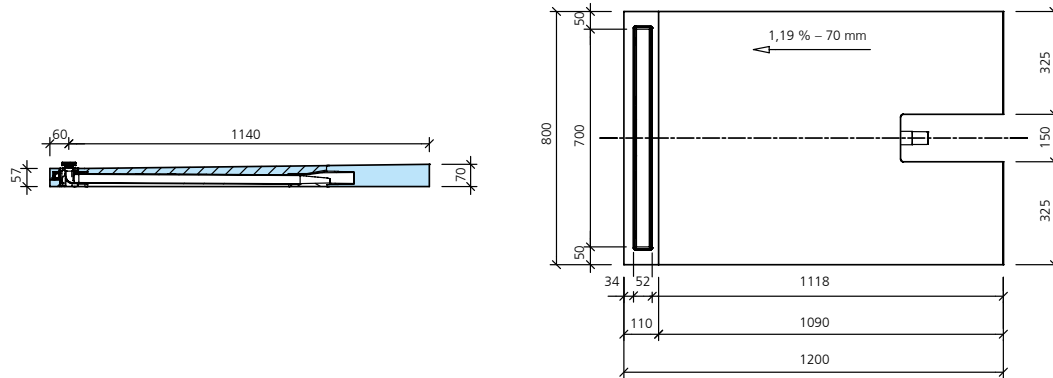


Complete system ■ Fundo Plano® Linea

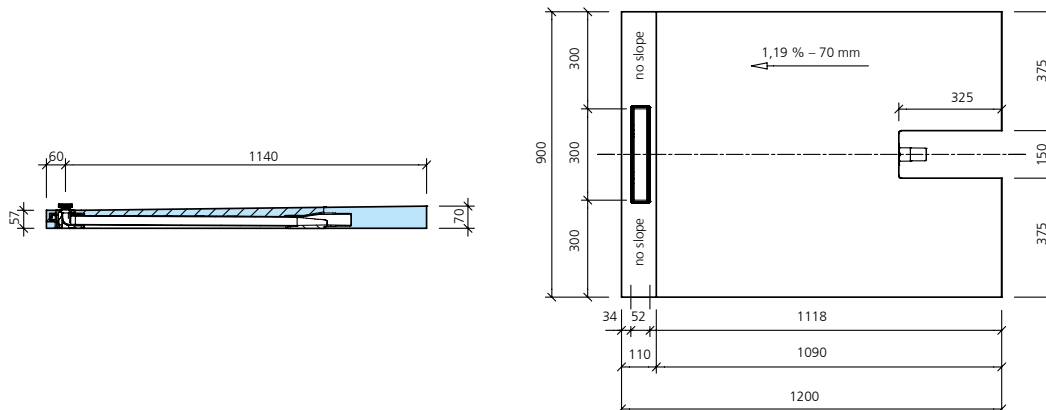
Fundo Plano Linea, integrated channel drain horizontal, DN 40, screed floor



Fundo Plano Linea, shower element with channel drain

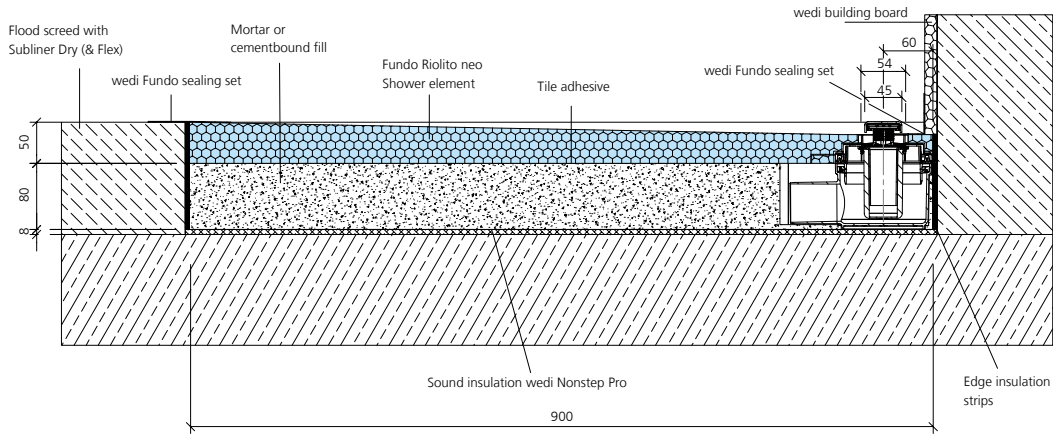


Fundo Plano Linea, shower element with short channel

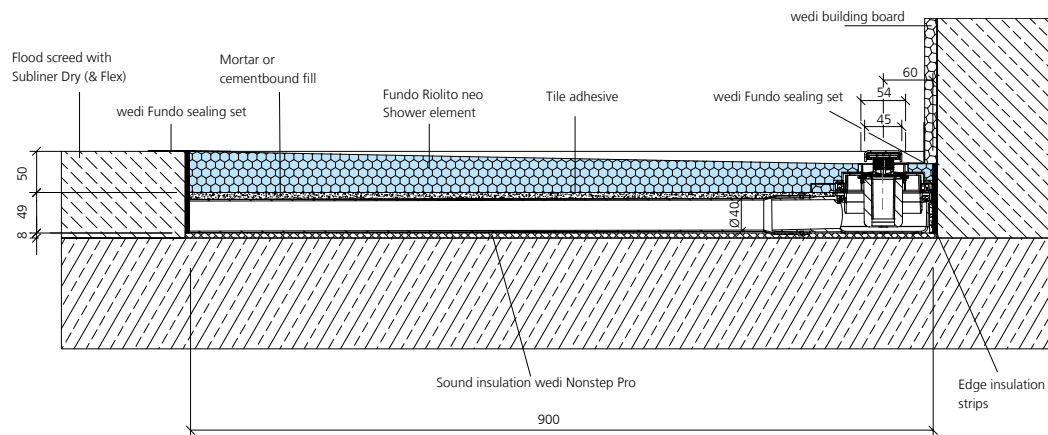


Classic system ■ Fundo Riolito® neo

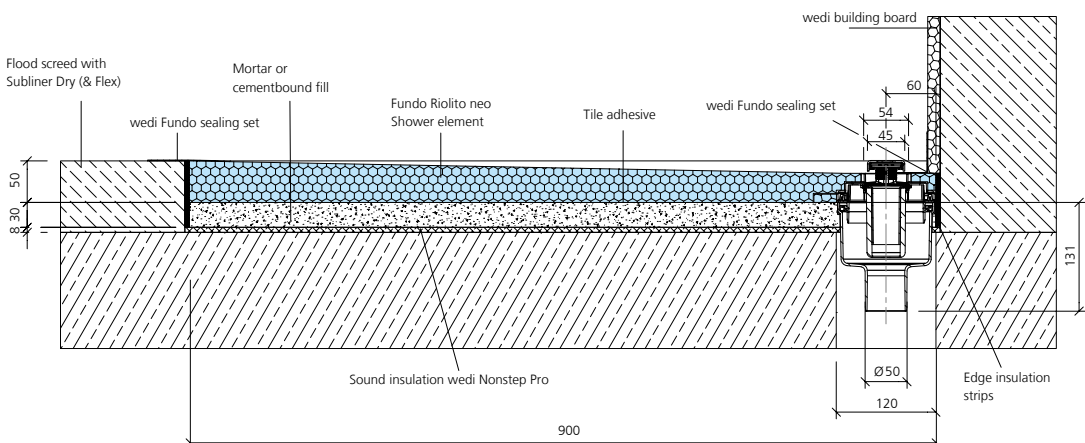
wedi Fundo channel drain horizontal, DN 50, screed floor



wedi Fundo channel drain Mini Max, DN 40, screed floor

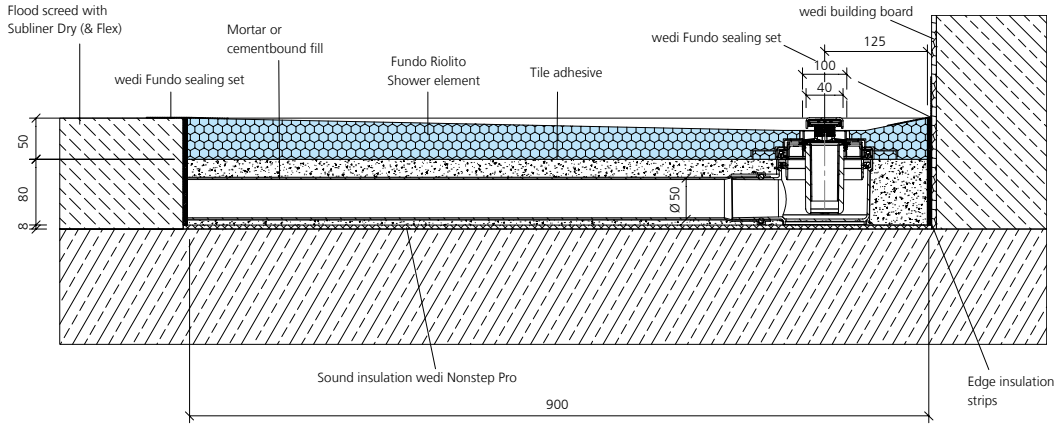


wedi Fundo channel drain vertical, DN 50, screed floor

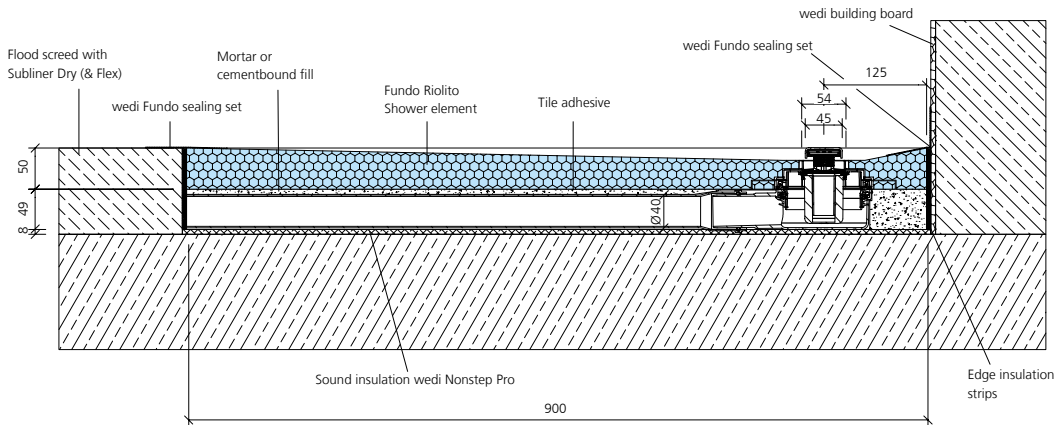


Classic system ■ Fundo Riolito®

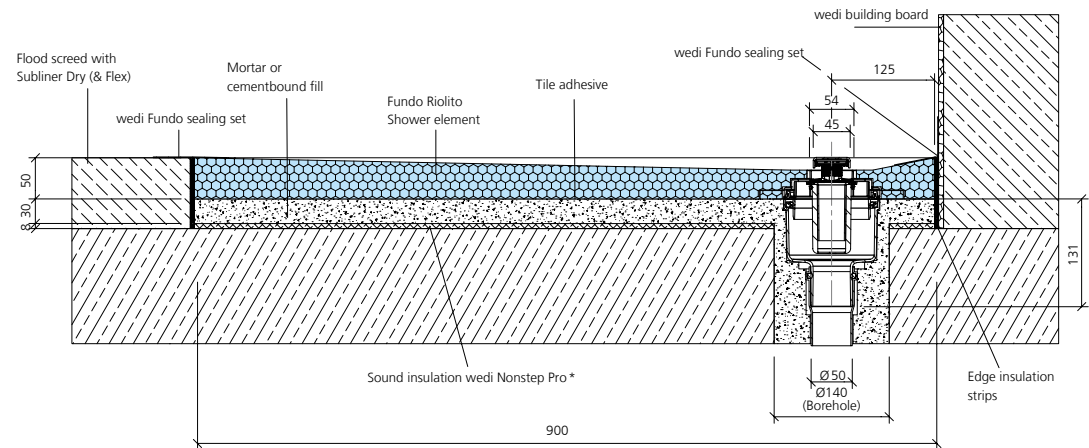
wedi Fundo channel drain horizontal, DN 50, screed floor



wedi Fundo channel drain Mini Max, DN 40, screed floor



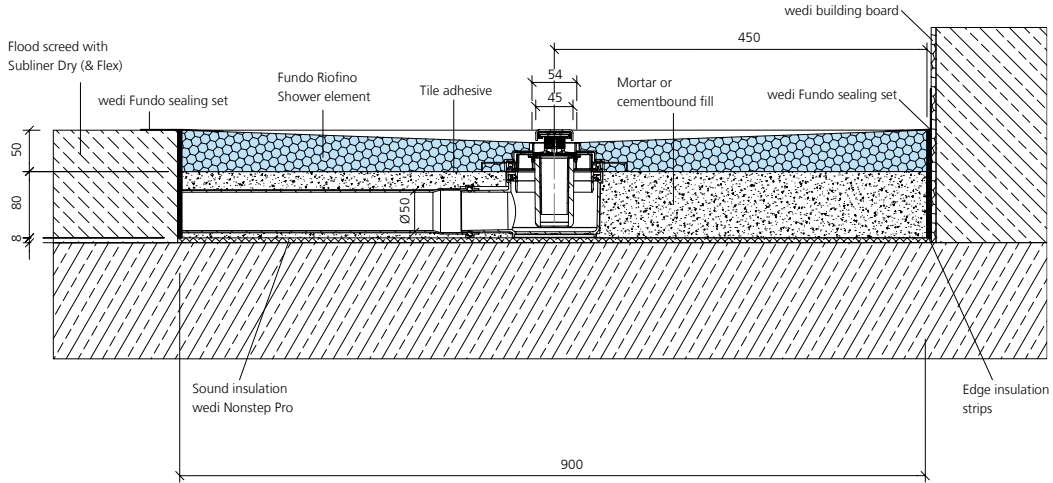
wedi Fundo channel drain vertical, DN 50, screed floor



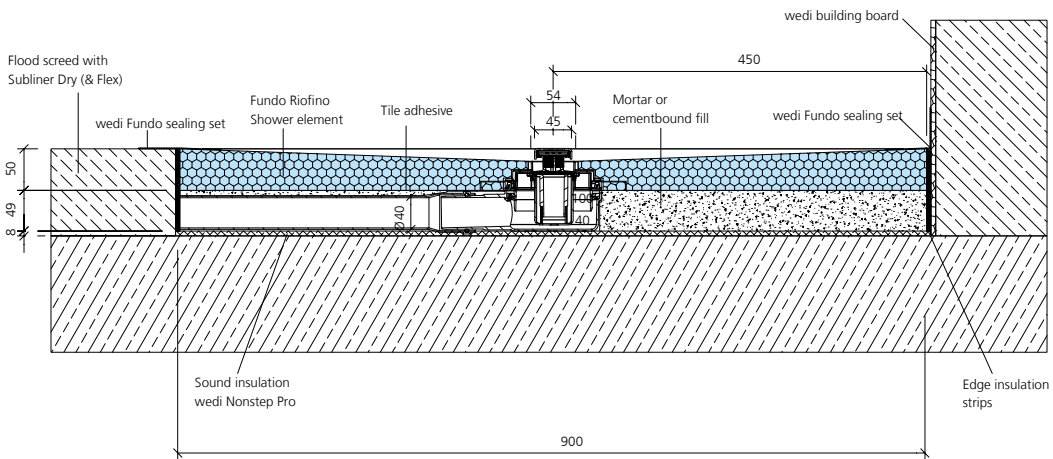
* When using the sound insulation mat, the construction height is increases by 8 or 17 mm.

Classic system ■ Fundo Riofino®

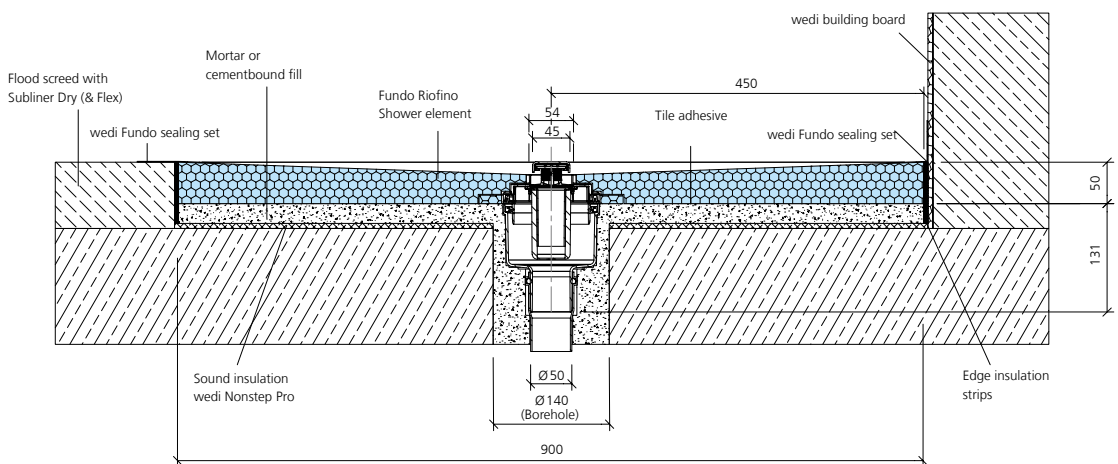
wedi Fundo channel drain horizontal, DN 50, screed floor



wedi Fundo channel drain Mini Max, DN 40, screed floor

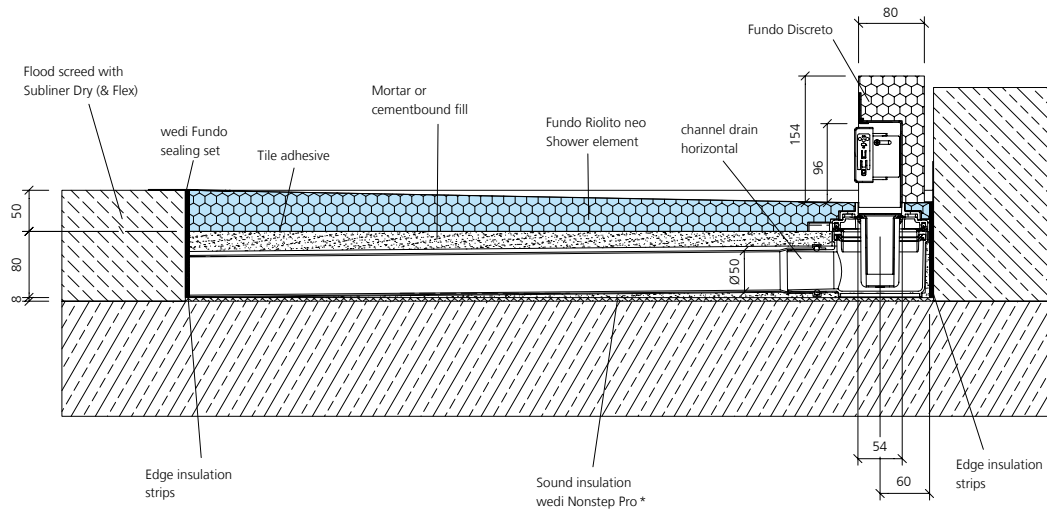


wedi Fundo channel drain vertical, DN 50, screed floor

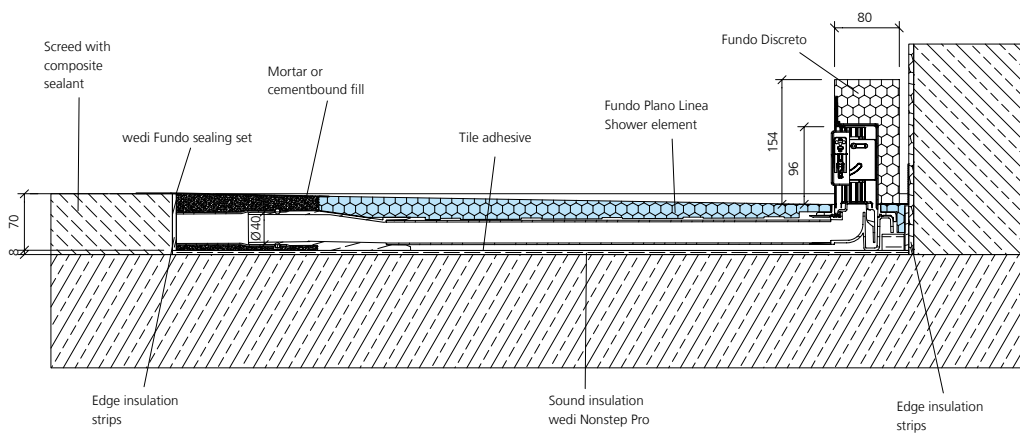


Optical wall drain ■ Fundo Discreto®

Fundo Discreto, wall drain, DN 50, screed floor



Fundo Discreto, wall drain, DN 40, screed floor



* When using the sound insulation mat, the construction height is increases by 8 or 17 mm.

Technical properties

Raw foam building board systems	
Extruded polystyrene hard foam	XPS
Long-term compressive strength (50 years) \leq 2 % compression EN 1606	0.08 N/mm ²
Compressive resistance or compressive strength at 10 % compression EN 826	0.25 N/mm ²
Associated module of elasticity EN 826	10 – 18 N/mm ²
Thermal conductivity EN 13164	0.036 W/mK
Tensile strength EN 1607	0.45 N/mm ²
Shearing resistance EN 12090	0.2 N/mm ²
Shear modulus EN 12090	7 N/mm ²
Bulk density EN 1602	32 kg/m ³
Resistance to water vapour diffusion (μ) EN 12086	100
Water absorption under long-term immersion EN 12087	\leq 1.5 Vol.-%
Capillary action	0
Linear coefficient of thermal expansion	0.07 mm/mK
Temperature limits	-50/+75 °C
Fire behaviour EN 13501	E
Carbon dioxide propellant GWP value	1

Fundo system shower elements	
Wheelchair load-bearing from minimum tile size	50 x 50 mm
Glass mosaic from 3 mm, minimum size	20 x 20 mm
Waterproof tested	1.5 bar
Fire behaviour EN 13501	E

Fundo Primo / Trollo / Borgo / Nautilo	
Minimum construction height depending on the drain: horizontal point drain, DN 50	125 mm
Minimum construction height depending on the drain: horizontal point drain Mini Max, DN 40	97 mm
Minimum construction height depending on the drain: vertical point drain	40 mm
Surface slope (from outer edge of Fundo shower element to outer edge of drain opening) (exception: Fundo Nautilo, 28 mm surface slope)	18 mm

Fundo Ligno	
Minimum construction height depending on the drain: horizontal point drain, DN 50	126 mm
Minimum construction height depending on the drain: horizontal point drain Mini Max, DN 40	98 mm
Minimum construction height depending on the drain: vertical point drain	20 mm
Surface slope (from outer edge of Fundo shower element to outer edge of drain opening)	18 mm

Fundo Riolito neo / Riolito / Riofino	
Minimum construction height depending on the drain: horizontal channel drain, DN 50	130 mm
Minimum construction height depending on the drain: horizontal channel drain Mini Max, DN 40	99 mm
Minimum construction height depending on the drain: vertical channel drain, DN 50	50 mm
Surface slope (from outer edge of Fundo shower element to outer edge of drain opening)	15 mm

Fundo Integro	
Minimum construction height	90 mm
Surface slope (from outer edge of Fundo Integro shower element to outer edge of drain opening)	≥ 1.5 %
Frame with stainless steel grid (secured in the element)	120 × 120 × 4 mm
Stainless steel grid	115 × 115 mm
Extension frame	Ø 115 × 40 mm
Drainage rate	0.80 l/s ; 48.0 l/min
Connection pipe	DN 50

Fundo Plano	
Minimum construction height	65 mm
Surface slope (from outer edge of Fundo Plano shower element to outer edge of drain opening)	≥ 2.4 %
Frame with stainless steel grid (secured in the element)	136 × 136 × 8 mm
Stainless steel grid	132 × 132 mm
Extension frame	136 × 136 × 24,7 mm
Drainage rate	0.50 l/s ; 30.0 l/min
Connection pipe	DN 40

Fundo Plano Linea	
Minimum construction height including integrated drain technology	70 mm
Surface slope (from outer edge of Fundo Plano Linea shower element to outer edge of drain opening)	≥ 1.19 %
Adjustment range for stainless steel covers	5–25 mm
The Fundo Plano Linea is available with channels in the following lengths	300 to 900 mm
Drainage rate	0.40 l/s ; 24.0 l/min
Connection pipe	DN 40



- Australia
- Austria
- Belgium
- Bosnia Herzegovina
- Canada
- Croatia
- Czech Republic

- Denmark
- Estonia
- Finland
- France
- Germany
- Great Britain
- Greece

- Hungary
- Iceland
- Ireland
- Italy
- Latvia
- Lithuania
- Luxembourg

- Netherlands
- Norway
- Poland
- Portugal
- Romania
- Russia
- Serbia

- Slovenia
- Spain
- Sweden
- Switzerland
- Turkey
- Ukraine
- USA



wedi GmbH
 Hollefeldstraße 51
 48282 Emsdetten
 Germany

Telephone +49 25 72 156-0
 Fax +49 25 72 156-133

info@wedi.de
 www.wedi.eu

wedi Systems (UK) Ltd
 Unit 4 Mercury Park · Mercury Way
 Trafford Park · M41 7LY
 Great Britain

Telephone + 44 161 864 2336
 Fax + 44 161 864 1323

info@wedi.co.uk
 www.wedi.co.uk

